

PRO SQUARE MINI

The new generation Faze PRO MINI downlight is specifically designed to enhance. Utilizing superior LED technology and with the highest CRI, these recessed ceiling lights are guaranteed to bring your spaces to life.



FEATURES

- + Precision reflector with clear lens - for better light distribution.
- + Specially designed heat sink - for class leading heat dissipation.
- + IC-4 rated
- + Black baffle design - eliminates glare for optimum visual comfort.
- + Suitable for concrete install with concrete canister (ordered separately).
- + IP44 and suitable for wet areas.
- + Compatible with remote Casambi CBU-TED Bluetooth Controllable Dimmer (71-CASCBU) & with Casambi BasicDim Driver 13W (17-CAS350)



GENERAL SPECIFICATIONS

LED		10W	12W
Lumens	(3000K)	715 lm	880 lm
	(4000K)	780 lm	960 lm
Efficacy		Up to 73 lm/W	
Colour Temperature		<input type="checkbox"/> 3000K, Warm White <input type="checkbox"/> 4000K, Cool White	
Material		Powder Coated Aluminium	
Finish		White Black	
Beam		60° 36° 24° 15°	
CRI		97+	
IP		44	
Colour Deviation		SDCM ≤2	
UGR		<19	
Lifetime		>55,000hrs L80 B10	
Warranty		7 Years	

Please Note: When using C-Bus, user universal or trailing edge dimming modules.

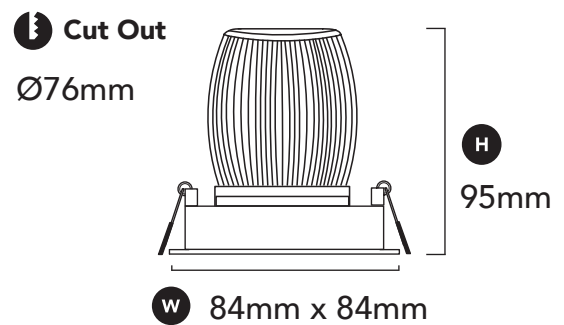
PROJECT DETAILS

PROJECT:

TYPE:

NOTES:

DIMENSIONS



DRIVER SPECIFICATIONS

Dimensions	L 98 x W 38 x H 24
Power	250mA 300mA 240V Remote Flicker Free Dimmable Driver
Dimming	Phase Cut Dimming
Power Factor	> 0.90

DALI Dimming Available Upon Request

PRODUCT CODES

White, 3000K	118-PR7MS11W603
Black, 3000K	118-PR7MS11B603
White, 4000K	118-PR7MS11W604
Black, 4000K	118-PR7MS11B604

REFLECTOR CODES

15° Reflector	118-RFLP15
24° Reflector	118-RFLP24
36° Reflector	118-RFLP36