

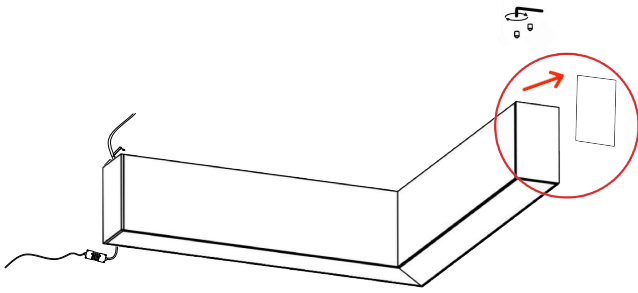
⚠ CAUTION - light fitting must be installed by a licensed electrician.

- Please ensure to read instructions correctly for the installation of the fitting provided. Failure to do so will result in a void of warranty and compromises the safety of luminaire.
- Radiant Lighting are not liable for warranties when luminaire is damaged by incorrect installation. The installation of the luminaires must be in accordance with the national safety regulations.

Please refer to Radiant Lighting's General Terms & Conditions for more information concerning the installation and warranty of our products.

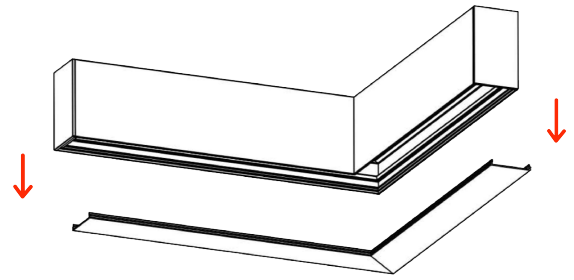
Installation Instructions - Surface Mount

STEP 1



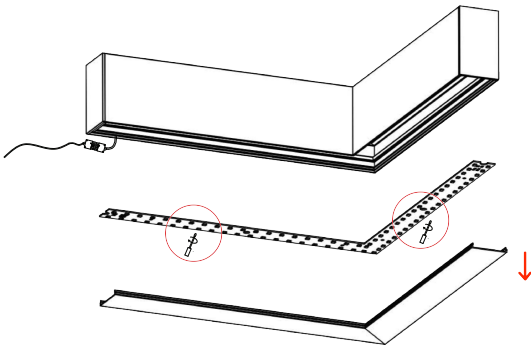
2. Use allen key to remove end cap.

STEP 2



2. Remove diffuser

STEP 3



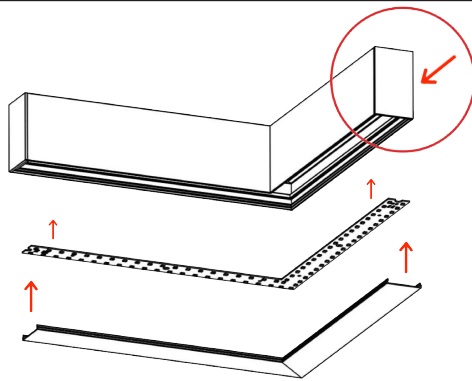
3. Remove LED heat sink by half turning in the 2 pictured locations and unhook heat sink cable.

STEP 4



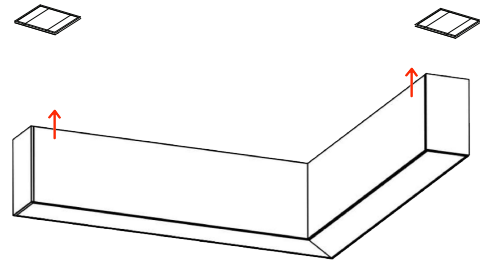
4. Screw surface mount clips into ceiling

STEP 5



6. a) Reattach heat sink b) Push end cap back in c) Reinstall diffuser

STEP 6



6. Attach fitting to the surface-mount clips in the ceiling

Category	Ceiling	CRI	90+
Power	15W	Material	Aluminium
IP Rating	40	Warranty	5 Years



For warranty information please visit radiantlighting.com.au/warranty

For all other queries, please call us on 1300 438 609