

KUBO

The Kubo has a subtle, yet stylish design. With its high IP rating and two-directional light output, it is equally suited for indoor and outdoor applications.



FEATURES

- + High Grade Aluminium Housing – Perfect for Resisting Corrosion.
- + Bi-directional Light Output.
- + Available in 3 Finishes.
- + Flicker Free Driver.
- + Frosted Lens.
- + Compatible with Remote Casambi CBU-TED Bluetooth Controllable Dimmer (71-CASCBU)



GENERAL SPECIFICATIONS

LED	6W
Lumens	(3000K) 400 lm (4000K) 485 lm
Efficacy	Up to 69 lm/W
Colour Temperature	<input type="checkbox"/> 3000K, Warm White <input type="checkbox"/> 4000K, Cool White
Material	Powder Coated Aluminium
Finish	White Black Grey
Beam	110°
CRI	84+
IP	65
Colour Deviation	SDCM ≤3
Lifetime	>55,000hrs L80 B10
Warranty	3 Years

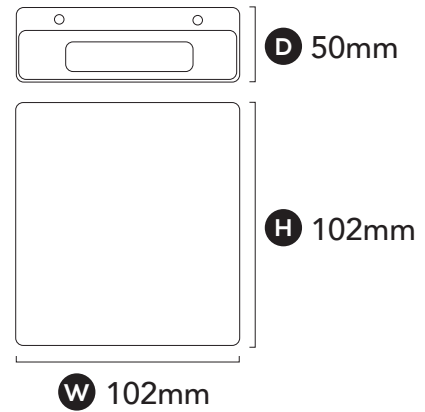
PROJECT DETAILS

PROJECT:

TYPE:

NOTES:

DIMENSIONS



DRIVER SPECIFICATIONS

Power	300mA 240V Built-In, Flicker Free, Dimmable Driver
Dimming	Phase Cut Dimming
Power Factor	> 0.90

PRODUCT CODES

White, 3000K	7-KU6W1103
Black, 3000K	7-KU6B1103
Grey, 3000K	7-KU6G1103
White, 4000K	7-KU6W1104
Black, 4000K	7-KU6B1104
Grey, 4000K	7-KU6G1104