

## FLOW TOP

Our FAZE FLOW PLUS TOP is a high quality, flexible polyurethane strip. It is ideal for use along ceilings, walls, cabinetry and stairways; both indoors and outdoors. This strip will ensure a seamless combination of style and functionality to any project.



### FEATURES

- + Top Emitting Light Direction, For Application Requiring Direct Light.
- + UV & Chemical Resistant.
- + 5W or 10W Options.
- + High CRI – Excellent Colour Rendering.
- + Compatible With Casambi Devices.
- + IP 67 – Suitable for Outdoor Applications.
- + Front, Side, and Bottom Cable Entry Connection Options.



### GENERAL SPECIFICATIONS

LED 5W/m 10W/m

Lumens (3000K & 4000K) 236 Lm 607 Lm

Efficacy Up to 60 Lm/W

Colour Temperature  3000K, Warm White  
 4000K, Cool White

Material Polyurethane

Finish White

Beam 120°

CRI 92+

IP 67

Colour Deviation SDCM ≤2

Lifetime >54,000hrs L70 B10

Warranty 5 Years

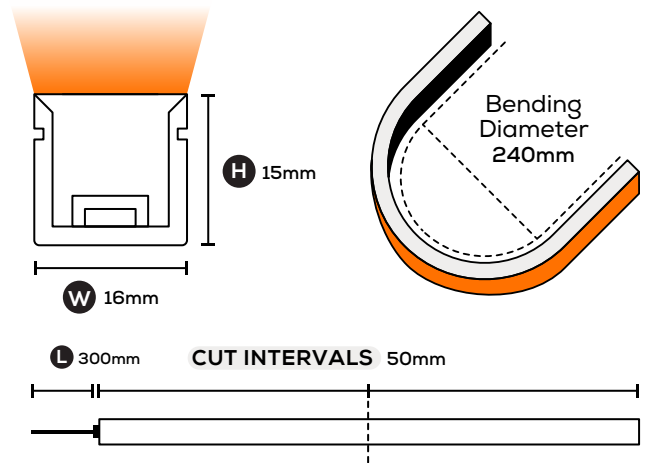
## PROJECT DETAILS

PROJECT:

TYPE:

NOTES:

### DIMENSIONS



### CUTTING LENGTHS

**5W** 50mm Increments Up Until 27m. Please Allow 9mm extra on each side for the end caps.

**10W** 50mm Increments Up Until 17m. Please Allow 9mm extra on each side for the end caps.

### PRODUCT CODES

5W		10W	
3000K	10-FL1615T053	3000K	10-FL1615T103
4000K	10-FL1615T054	4000K	10-FL1615T104

### COMPATIBLE CASAMBI DEVICES

BasicDIM 24V Wireless 4ch	71-CAS24V
BasicDIM 24V 150W	71-CAS24V150
BasicDIM 24V 100W	71-CAS24V100
BasicDIM 24V 60W	71-CAS24V60
BasicDIM 24V 35W	71-CAS24V35

# ACCESSORIES

## SIDE CABLE ENTRY



<b>Order Code</b>	10-FL1615PSE
<b>Dimensions</b> L x W x H	27.9mm x 20.4mm x 19.4mm
<b>Finish</b>	Transparent

## ALUMINIUM PROFILE



<b>Order Code</b>	10-FL1615P1
<b>Dimensions</b> L x W x H	1000mm x 20.5mm x 17.6mm
<b>Material</b>	Aluminium

## BOTTOM CABLE ENTRY



<b>Order Code</b>	10-FL1615PRE
<b>Dimensions</b> L x W x H	27.9mm x 20.4mm x 19.4mm
<b>Finish</b>	Transparent

## MOUNTING CLIPS



<b>Order Code</b>	10-FL1615MC
<b>Dimensions</b> L x W x H	20mm x 16.6mm x 12.4mm
<b>Material</b>	Stainless Steel

Each meter requires 4x clips and 4x screws

## STRAIGHT CABLE ENTRY



<b>Order Code</b>	10-FL1615PFE
<b>Dimensions</b> L x W x H	27.9mm x 20.4mm x 19.4mm
<b>Finish</b>	Transparent

## END CAP



<b>Order Code</b>	10-FL1615EC
<b>Dimensions</b> L x W x H	27.9mm x 20.4mm x 19.4mm
<b>Material</b>	Stainless Steel