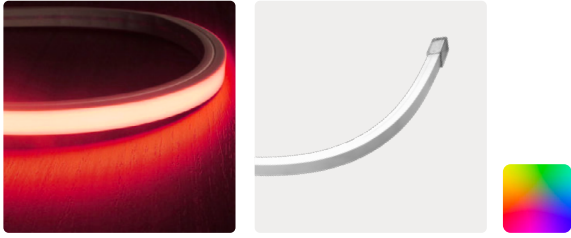


FLOW TOP RGB

Our FAZE FLOW TOP is a high quality, flexible extruded silicone strip. It is ideal for use along ceilings, walls, cabinetry & stairways; both indoors and outdoors. This strip will ensure a seamless combination of style and functionality to any project!



FEATURES

- + Top Emitting Light Direction, For Application Requiring Direct Light.
- + UV & Chemical Resistant.
- + Precise Cutting Options.
- + High CRI – Excellent Colour Rendering.
- + Compatible With Casambi Devices.
- + IP 67 – Suitable for Outdoor Applications.
- + Front, Side, and Bottom Cable Entry Connection Options.



GENERAL SPECIFICATIONS

LED	11W/m
Lumens	264 Lm
Efficacy	29.2 Lm/W
Colour	RGB
Material	Extruded Silicone
Finish	White
Beam	120°
CRI	92+
IP	67
Colour Deviation	SDCM ≤2
Lifetime	>54,000hrs L70 B10
Warranty	5 Years
Voltage	DC 24V

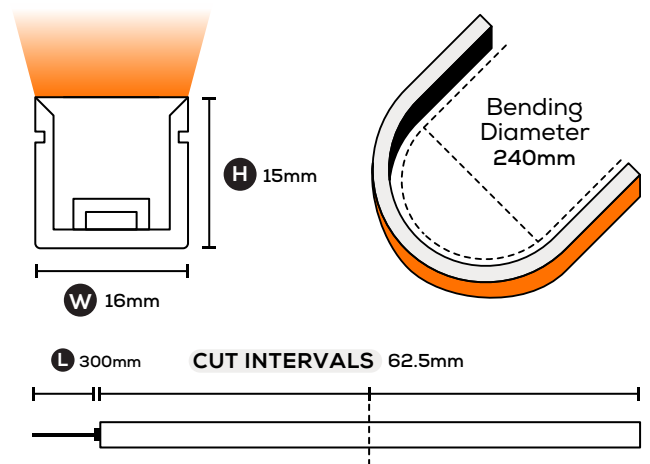
PROJECT DETAILS

PROJECT:

TYPE:

NOTES:

DIMENSIONS



CUTTING LENGTHS

62.5mm Increments Up Until 13m. Please Allow 9mm extra on each side for the end caps.

PRODUCT CODES

RGB 10-FL1615TRGB

COMPATIBLE CASAMBI DEVICES

BasicDIM 24V 150W	71-CAS24V150
BasicDIM 24V 100W	71-CAS24V100
BasicDIM 24V 60W	71-CAS24V60
BasicDIM 24V 35W	71-CAS24V35

ACCESSORIES

SIDE CABLE ENTRY



Order Code	10-FL1615RGBPSE
Dimensions L x W x H	27.9mm x 20.4mm x 19.4mm
Finish	Transparent

ALUMINIUM PROFILE



Order Code	10-FL1615P1
Dimensions L x W x H	1000mm x 17.3mm x 21.1mm
Material	Aluminium

REAR CABLE ENTRY



Order Code	10-FL1615RGBPRE
Dimensions L x W x H	27.9mm x 20.4mm x 19.4mm
Finish	Transparent

MOUNTING CLIPS



Order Code	10-FL1615MC
Dimensions L x W x H	20mm x 12.6mm x 18.9mm
Material	Stainless Steel

Each meter requires 4x clips and 4x screws

STRAIGHT CABLE ENTRY



Order Code	10-FL1615RGBPFE
Dimensions L x W x H	27.9mm x 20.4mm x 19.4mm
Finish	Transparent

END CAP



Order Code	10-FL1615EC
Dimensions L x W x H	26.5mm x 17mm x 24.2mm
Material	Stainless Steel