

FLOW SIDE TUNABLE WHITE

Our FAZE FLOW SIDE is a high quality, flexible extruded silicone strip. It is ideal for use along ceilings, walls, cabinetry & stairways; both indoors and outdoors. This strip will ensure a seamless combination of style and functionality to any project!



FEATURES

- + Side Emitting, For Curving Around Surfaces Where You Require Indirect Light.
- + UV & Chemical Resistant.
- + Precise Cutting Options.
- + High CRI – Excellent Colour Rendering.
- + Compatible With Casambi Devices.
- + IP 67 – Suitable for Outdoor Applications.
- + Front, Side, and Bottom Cable Entry Connection Options.



GENERAL SPECIFICATIONS

LED	15W/m
Lumens	523 Lm
Efficacy	Up to 36 Lm/W
Colour	2700K – 5300K
Material	Extruded Silicone
Finish	White
Beam	120°
CRI	92+
IP	67
Colour Deviation	SDCM ≤3
Lifetime	>54,000hrs L70 B10
Warranty	5 Years
Voltage	DC 24V

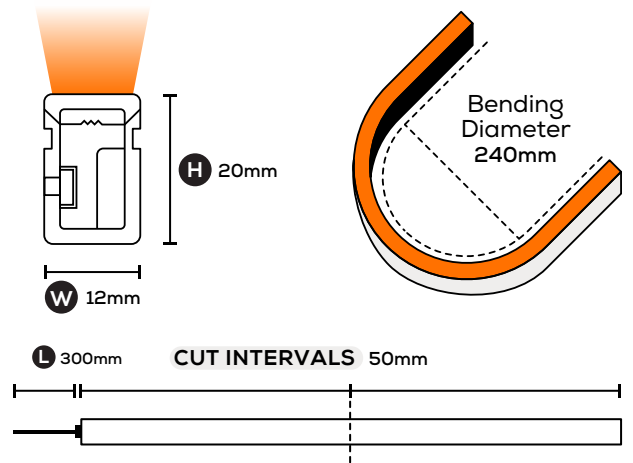
PROJECT DETAILS

PROJECT:

TYPE:

NOTES:

DIMENSIONS



CUTTING LENGTHS

50mm Increments Up Until 5m. Please Allow 9mm extra on each side for the end caps.

PRODUCT CODES

TUNABLE WHITE 10-FL1220SSTW

COMPATIBLE CASAMBI DEVICES

BasicDIM 24V 150W	71-CAS24V150
BasicDIM 24V 100W	71-CAS24V100
BasicDIM 24V 60W	71-CAS24V60
BasicDIM 24V 35W	71-CAS24V35

ACCESSORIES

SIDE CABLE ENTRY



Order Code 10-FL1220TWPSE

Dimensions 26.5mm x 17mm
L x W x H x 24.2mm

Finish Transparent

ALUMINIUM PROFILE



Order Code 10-FL1220P1

Dimensions 1000mm x 17.3mm
L x W x H x 21.1mm

Material Aluminium

REAR CABLE ENTRY



Order Code 10-FL1220TWPRE

Dimensions 26.5mm x 17mm x
L x W x H 24.2mm

Finish Transparent

MOUNTING CLIPS



Order Code 10-FL1220MC

Dimensions 20mm x 12.6mm x
L x W x H 18.9mm

Material Stainless Steel

Each meter requires 4x clips and 4x screws

STRAIGHT CABLE ENTRY



Order Code 10-FL1220TWPFE

Dimensions 26.5mm x 17mm x
L x W x H 24.2mm

Finish Transparent

END CAP



Order Code 10-FL1220EC

Dimensions 26.5mm x 17mm
L x W x H x 24.2mm

Material Stainless Steel