

EDGE X

The EDGE X packs a powerful punch! Providing intense illumination with very little energy.





FEATURES

- + Precision reflector with clear lens – for better light distribution.
- + Specially designed heat sink – for application in minimal ceiling spaces.
- + Deep set lamp position – for visual comfort and glare control.
- + Next-Generation LED chip technology.
- + Compatible with remote Casambi CBU-TED Bluetooth Controllable
- + Dimmer (71-CASCBU) & with Casambi BasicDim Driver 13W (71-CAS350).



GENERAL SPECIFICATIONS

LED		8W	10W	12W
Lumens	(3000K)	740 lm	920 lm	1065 lm
	(4000K)	745 lm	920 lm	1070 lm
Efficacy		Up to 81 lm/W		
Colour Temperature	 3000K, Warm White			
	 4000K, Cool White			
Material		Powder Coated Aluminium		
Finish		White Black		
Beam		60° 36° 24° 15°		
CRI		92+		
IP		44		
Colour Deviation		SDCM ≤2		
UGR		<20		
Lifetime		>55,000hrs L80 B10		
Warranty		5 Years		

Please Note: When using C-Bus, user universal or trailing edge dimming modules.

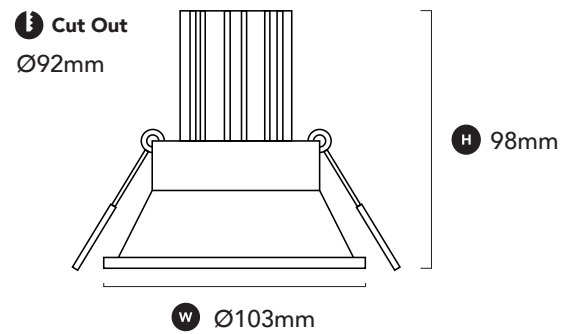
PROJECT DETAILS

PROJECT:

TYPE:

NOTES:

DIMENSIONS



DRIVER SPECIFICATIONS

Dimensions	L 98 x W 40 x H 22 mm
Power	180mA 240mA 300mA 240V Remote Flicker Free Dimmable Driver
Dimming	Phase Cut Dimming
Power Factor	> 0.90

DALI Dimming Available Upon Request

PRODUCT CODES

White, 3000K	118-ED2X13W603
Black, 3000K	118-ED2X13B603
White, 4000K	118-ED2X13W604
Black, 4000K	118-ED2X13B604

REFLECTOR CODES

15° Reflector	118-RFLX15
24° Reflector	118-RFLX24
36° Reflector	118-RFLX36