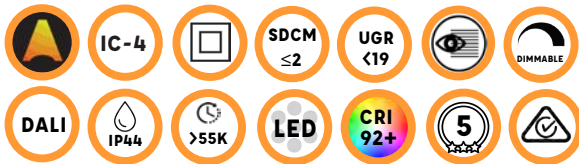




The EDGE X packs a powerful punch! Providing intense illumination with very little energy.

FEATURES

- + Precision reflector with clear lens - for better light distribution
- + Specially designed shallow heat sink - for application in minimal ceiling spaces.
- + Deep set lamp position - for visual comfort and glare control
- + Compatible with remote Casambi CBU-TED Bluetooth Controllable Dimmer (71-CASCBU) & with Casambi BasicDim Driver 11W (71-CAS300)



GENERAL SPECIFICATIONS

| | |
|---------------------------|--|
| LED | 13W |
| Lumens | 1000 lm (3000K) 1015 (4000K) |
| Efficacy | 75 lm/w (3000K) 81 lm/w (4000K) |
| Colour Temperature | <input type="checkbox"/> 3000K, Warm White <input type="checkbox"/> 4000K, Cool White |
| Material | Powder Coated Aluminium |
| Finish | White Black |
| Beam | 15° 24° 36° 60° |
| CRI | 92+ |
| IP | 44 |
| Colour Deviation | SDCM ≤2 |
| UGR | <20 |
| Lifetime | >55,000hrs L80 B10 |
| Warranty | 5 Years |

Please Note: When using C-Bus, use universal or trailing edge dimming modules

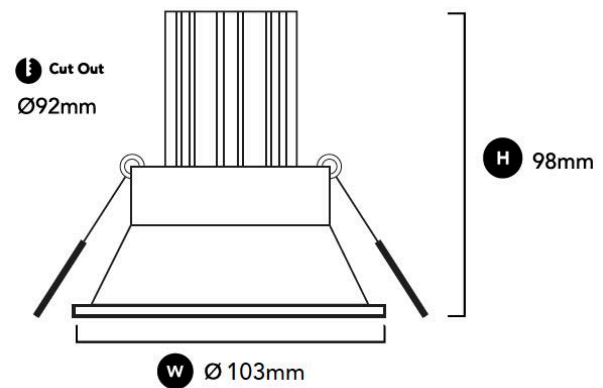
PROJECT DETAILS

PROJECT: _____

TYPE: _____

NOTES: _____

DIMENSIONS (mm)



DRIVER SPECIFICATIONS

L 98 x W 40 x H 22 mm

| | |
|---------------------|---|
| Power | 300mA 240V Remote, Flicker Free Dimmable Driver |
| Dimming | Phase Cut Dimming |
| Power Factor | > 0.90 |

DALI dimming available upon request

PRODUCT CODE

| | |
|-------------------|-----------------------|
| White, 3000K, 60° | 118-ED2X13W603 |
| White, 4000K, 60° | 118-ED2X13W604 |
| Black, 3000K, 60° | 118-ED2X13B603 |
| Black, 4000K, 60° | 118-ED2X13B604 |

REFLECTOR CODE

| | |
|----------------|-------------------|
| 15° Reflector | 118-RFLX15 |
| 24° Reflector° | 118-RFLX24 |
| 36° Reflector | 118-RFLX36 |