

## CORE

The CORE simultaneously creates a stylish feature whilst also providing sufficient task lighting. An ideal luminaire for areas with limited ceiling space.



### FEATURES

- + High CRI – Defined architectural details and finishes.
- + Quick connection system for durability and easy installation.
- + Flicker Free Driver
- + Available in two beam angles, for the perfect light application.
- + High quality reflector, for superior light emissions.
- + Multiple baffle options for further aesthetic freedom and flare reduction.
- + Compatible with remote Casambi CBU-TED Bluetooth Controllable Dimmer (71-CASCBU) & with Casambi BasicDim Driver 13W (71-CAS350)



### GENERAL SPECIFICATIONS

LED	12W
Lumens	(3000K) 1015 lm (4000K) 1090 lm
Efficacy	Up to 81 lm/W
Colour Temperature	<span style="display: inline-block; width: 15px; height: 15px; background-color: #f4a460; border: 1px solid black; margin-right: 5px;"></span> 3000K, Warm White <span style="display: inline-block; width: 15px; height: 15px; background-color: #e0e0e0; border: 1px solid black; margin-right: 5px;"></span> 4000K, Cool White
Material	Powder Coated Aluminium
Finish	White   Black
Beam	36°   60°
CRI	92+
IP	20
Colour Deviation	SDCM ≤2
UGR	<17
Lifetime	>55,000hrs L80 B10
Warranty	5 Years

**Please Note:** When using C-Bus, use universal or trailing edge dimming modules.

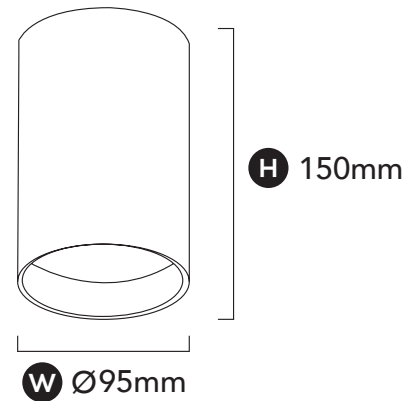
## PROJECT DETAILS

PROJECT:

TYPE:

NOTES:

### DIMENSIONS



### DRIVER SPECIFICATIONS

Power	300mA 240V Built-In Flicker Free Driver
Dimming	Phase Cut Dimming
Power Factor	> 0.95

**DALI Dimming Available Upon Request**

### PRODUCT CODES

White, 3000K	118-COR12W603
Black, 3000K	118-COR12B603
White, 4000K	118-COR12W604
Black, 4000K	118-COR12B604

### ACCESSORY CODES

36° Reflector	118-RFLCOR36
Black Baffle	118-CORBB
White Baffle	118-CORBW
Gold Baffle	118-CORBG