

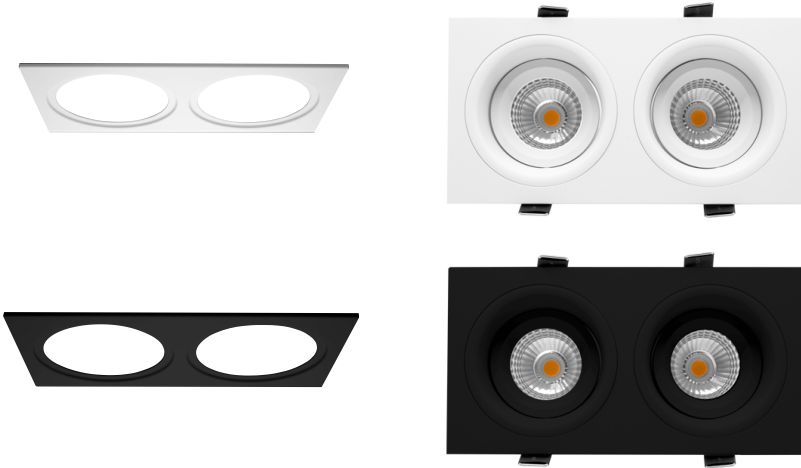
EDGE MINI FRAME 2 LIGHT

PROJECT DETAILS

PROJECT:

TYPE:

NOTES:

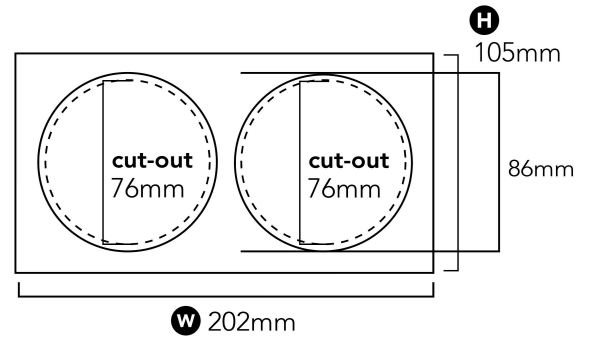


FEATURES

- + Allows a double light configuration.
- + Seamless styling.
- + 3mm ceiling detail.

DIMENSIONS (mm)

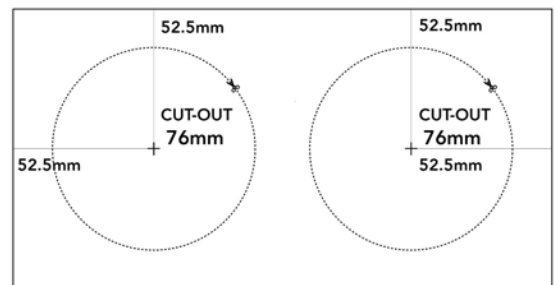
Product Dimensions



GENERAL SPECIFICATIONS

| | |
|--------------------------|---------------------------------|
| Fittings Required | Edge Mini |
| Material | Powder Coated Aluminium |
| Finish | White Black |
| Dimensions | 202mm (w) x 105mm (h) x 3mm (d) |
| Warranty | 7 Years |

Cut-Out Information



PRODUCT CODE

| | |
|-------|-------------------|
| White | 118-EDMF2W |
| Black | 118-EDMF2B |

***Please note:** Edge Mini fittings are supplied separately.



Don't let the small size fool you, the EDGE MINI packs a powerful punch! Providing intense illumination with very little energy, ideal for areas with lower ceilings like bathrooms and over vanity mirrors.

FEATURES

- + Adjustable head up to 25°
- + Precision reflector with clear lens - for better light distribution
- + Specially designed heat sink - for class leading heat dissipation
- + Deep set lamp position - for visual comfort and glare control
- + Compatible with remote Casambi CBU-TED Bluetooth Controllable Dimmer (71-CASCBU) & with Casambi BasicDim Driver 11W (71-CAS300)



GENERAL SPECIFICATIONS

| | |
|---------------------------|--|
| LED | 11W *operating wattage 12W |
| Lumens | 975 lm (3000K) 995 (4000K) |
| Efficacy | 75 lm/w (3000K) 81 lm/w (4000K) |
| Colour Temperature | <input type="checkbox"/> 3000K, Warm White <input type="checkbox"/> 4000K, Cool White |
| Material | Powder Coated Aluminium |
| Finish | White Black |
| Beam | 15° 24° 36° 60° |
| CRI | 92+ |
| IP | 44 |
| Colour Deviation | SDCM ≤2 |
| UGR | <19 |
| Lifetime | >55,000hrs L80 B10 |
| Warranty | 7 Years |

Please Note: When using C-Bus, use universal or trailing edge dimming modules

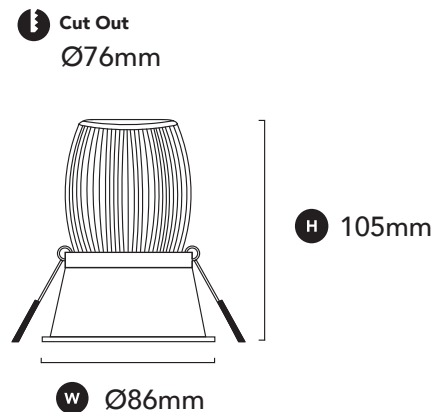
PROJECT DETAILS

PROJECT: _____

TYPE: _____

NOTES: _____

DIMENSIONS (mm)



DRIVER SPECIFICATIONS

L 98 x W 40 x H 22 mm

| | |
|---------------------|---|
| Power | 300mA 240V Remote, Flicker Free Dimmable Driver |
| Dimming | Phase Cut Dimming |
| Power Factor | > 0.90 |

DALI dimming available upon request

PRODUCT CODE

| | |
|-------------------|-----------------------|
| White, 3000K, 60° | 118-ED2M11W603 |
| White, 4000K, 60° | 118-ED2M11W604 |
| Black, 3000K, 60° | 118-ED2M11B603 |
| Black, 4000K, 60° | 118-ED2M11B604 |

REFLECTOR CODES

| | |
|---------------|-------------------|
| 15° Reflector | 118-RFLP15 |
| 24° Reflector | 118-RFLP24 |
| 36° Reflector | 118-RFLP36 |