

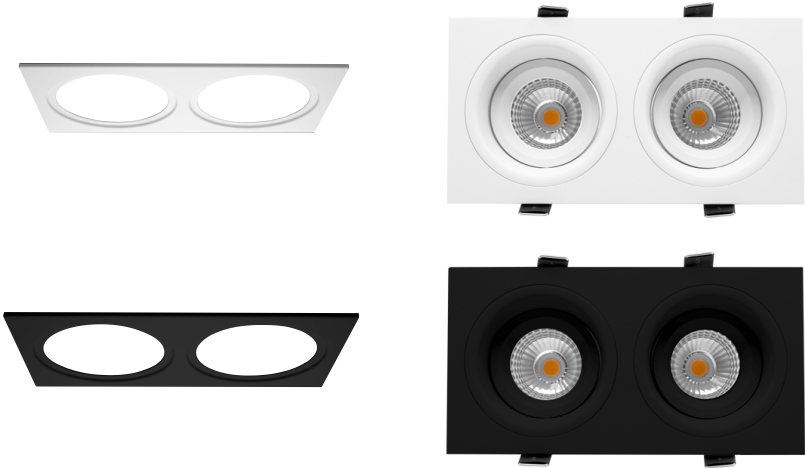
EDGE MINI FRAME 2 LIGHT

PROJECT DETAILS

PROJECT: _____

TYPE: _____

NOTES: _____

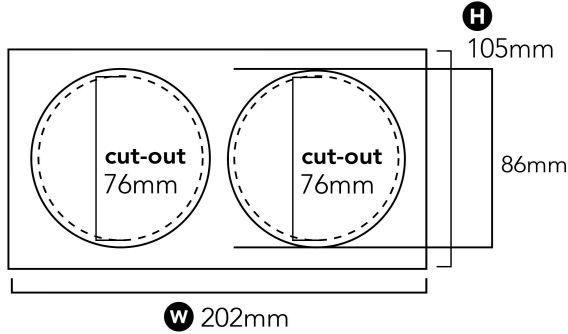


FEATURES

- + Allows a double light configuration.
- + Seamless styling.
- + 3mm ceiling detail.

DIMENSIONS (mm)

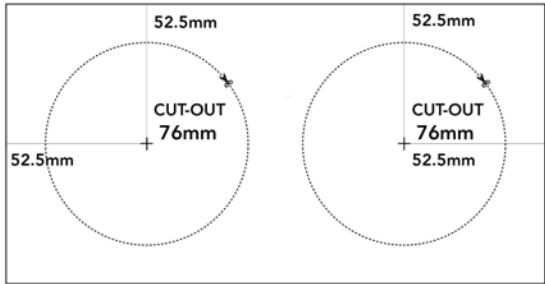
Product Dimensions



GENERAL SPECIFICATIONS

Fittings Required	Edge Mini
Material	Powder Coated Aluminium
Finish	White Black
Dimensions	202mm (w) x 105mm (h) x 3mm (d)
Warranty	7 Years

Cut-Out Information



PRODUCT CODE	
White	118-EDMF2W
Black	118-EDMF2B

***Please note:** Edge Mini fittings are supplied seperately.

EDGE MINI

Don't let the small size fool you, the EDGE MINI packs a powerful punch! Providing intense illumination with very little energy, ideal for areas with lower ceilings like bathrooms and over vanity mirrors.



FEATURES

- + Adjustable head up to 25°.
- + Precision reflector with clear lens – for better light distribution.
- + Specially designed heat sink – for class leading heat dissipation.
- + Deep set lamp position – for visual comfort and glare control.
- + Compatible with remote Casambi CBU-TED Bluetooth Controllable
- + Dimmer (71-CASCBU) & with Casambi BasicDim Driver 13W (71-CAS350).



GENERAL SPECIFICATIONS

LED	10W	12W
Lumens	(3000K) 800 lm	1100 lm
	(4000K) 840 lm	1120 lm
Efficacy	Up to 93 lm/W	
Colour Temperature	<input type="checkbox"/> 3000K, Warm White <input type="checkbox"/> 4000K, Cool White	
Material	Powder Coated Aluminium	
Finish	White Black	
Beam	15° 24° 36° 60°	
CRI	92+	
IP	44	
Colour Deviation	SDCM ≤2	
UGR	<19	
Lifetime	>55,000hrs L80 B10	
Warranty	7 Years	

Please Note: When using C-Bus, user universal or trailing edge dimming modules.

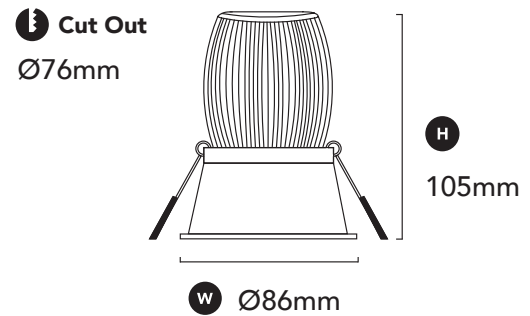
PROJECT DETAILS

PROJECT:

TYPE:

NOTES:

DIMENSIONS



DRIVER SPECIFICATIONS

Dimensions	L 98 x W 40 x H 22 mm
Power	250mA 300mA 240V Remote Flicker Free Dimmable Driver
Dimming	Phase Cut Dimming
Power Factor	> 0.90

DALI Dimming Available Upon Request

PRODUCT CODES

White, 3000K	118-ED2M11W603
Black, 3000K	118-ED2M11B603
White, 4000K	118-ED2M11W604
Black, 4000K	118-ED2M11B604

REFLECTOR CODES

36° Reflector	118-RFLP36
24° Reflector	118-RFLP24
15° Reflector	118-RFLP15