

EDGE MINI FRAME 1 LIGHT



PROJECT DETAILS

PROJECT:

TYPE:

NOTES:

FEATURES

- + Allows a square light configuration.
- + Seamless styling.
- + 3mm ceiling detail.

DIMENSIONS (mm)

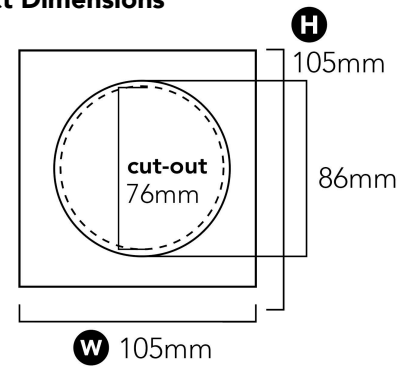
GENERAL SPECIFICATIONS

Fittings Required	Edge Mini
Material	Powder Coated Aluminium
Finish	White Black
Dimensions	105mm (w) x 105mm (h) x 3mm (d)
Warranty	7 Years

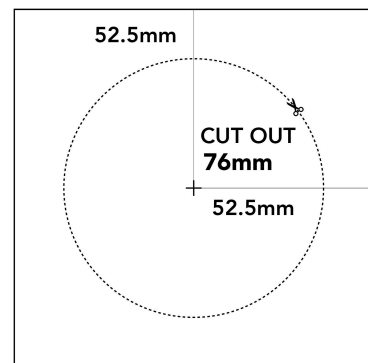
PRODUCT CODE

White	118-EDMF1W
Black	118-EDMF1B

Product Dimensions



Cut-Out Information



***Please note:** Edge Mini fitting is supplied seperately.

EDGE MINI

Don't let the small size fool you, the EDGE MINI packs a powerful punch! Providing intense illumination with very little energy, ideal for areas with lower ceilings like bathrooms and over vanity mirrors.



FEATURES

- + Adjustable head up to 25°.
- + Precision reflector with clear lens – for better light distribution.
- + Specially designed heat sink – for class leading heat dissipation.
- + Deep set lamp position – for visual comfort and glare control.
- + Next-Generation LED chip technology.
- + Compatible with remote Casambi CBU-TED Bluetooth Controllable Dimmer (71-CASCBU) & with Casambi BasicDim Driver 13W (71-CAS350).



LUMINAIRE OPTIONS

LED Options

12W **STANDARD**

1100 lm (3000K)
1120 lm (4000K)

10W

800 lm (3000K)
840 lm (4000K)

Beam Options

60° **STANDARD**

36°

24°

15°

GENERAL SPECIFICATIONS

Efficacy Up to 93 lm/W

Colour Temperature  3000K, Warm White
 4000K, Cool White

Material Powder Coated Aluminium

Finish White | Black

CRI 92+

IP 44

Colour Deviation SDCM ≤2

UGR <19

Lifetime >55,000hrs L80 B10

Warranty 7 Years

PROJECT DETAILS

PROJECT:

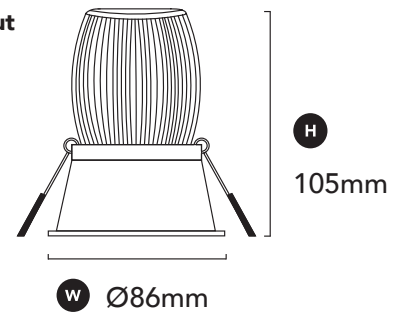
TYPE:

NOTES:

DIMENSIONS

 Cut Out

Ø76mm



DRIVER SPECIFICATIONS

Dimensions

L 104 x W 43 x H 24 mm

Power

250mA | 300mA 240V
Remote Flicker Free
Dimmable Driver

Dimming

Phase Cut Dimming

Power Factor

> 0.90

DALI Dimming Available Upon Request

PRODUCT CODES

White, 3000K

118-ED2M11W603

Black, 3000K

118-ED2M11B603

White, 4000K

118-ED2M11W604

Black, 4000K

118-ED2M11B604

REFLECTOR CODES

36° Reflector

118-RFLP36

24° Reflector

118-RFLP24

15° Reflector

118-RFLP15