



EDGE

In better
light.

EDGE series

INTRODUCTION

EDGE Mini

PRODUCT HIGHLIGHTS

EDGE 100

PRODUCT OVERVIEW

EDGE 110

SERIES OVERVIEW



The logo for FAZE, with the letters F, A, Z, and E in white, and the letter A in orange.

In better light.

Faze is a brand of Radiant Lighting with over 30 years at the forefront of lighting quality, innovation and design.

As lighting designers, we understand light and what can be achieved using well designed luminaires that are made from the best components.

Based in Perth, FAZE has grown into a truly International company. We source the best quality materials from Japan, Germany, Italy and with a new state of the art production facility in China, we create the best quality luminaires that will stand the test of time. With sustainability in mind, we also do our best to produce luminaires that are environmentally conscious; strategically designing them with components that can be replaced and added to over time.

We take our commitment to Quality and Compliance very seriously, ensuring that we always meet and exceed the highest possible standards. With a new cutting-edge testing and compliance facility based at our head office in Balcatta, we are now leading the way with quality in everything that we do.

We collaborate with architects, designers and builders every single day to incorporate light into their projects. This helps us understand the market and create truly unique and innovative luminaires.

The continued advancement in LED technology provides us with so many opportunities to expand and grow our brand, as well as the ability to make sure that every product stamped with the FAZE logo has the best optical performance and optimal visual comfort no matter what the project.

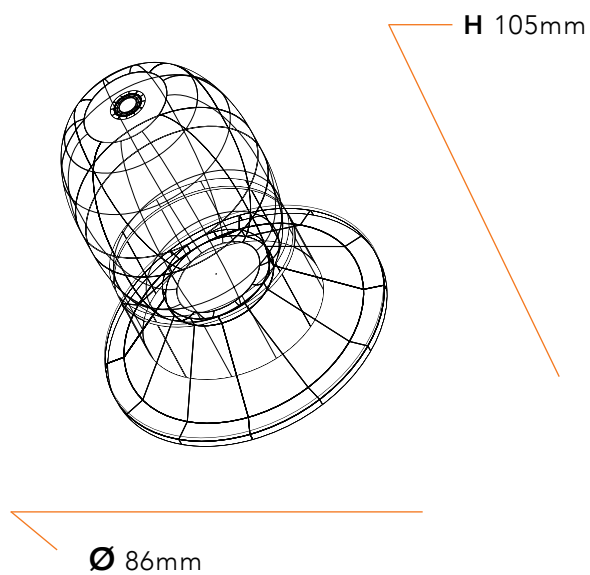
FAZE aims to fill the gaps in the current lighting market, providing many lighting solutions and endless design possibilities with it's luminaires.

EDGE series

The FAZE Edge series - with a trimless, concave design and utilizing advanced LED engines, achieves intense illumination with a high lumen per watt efficacy.



Edge Mini

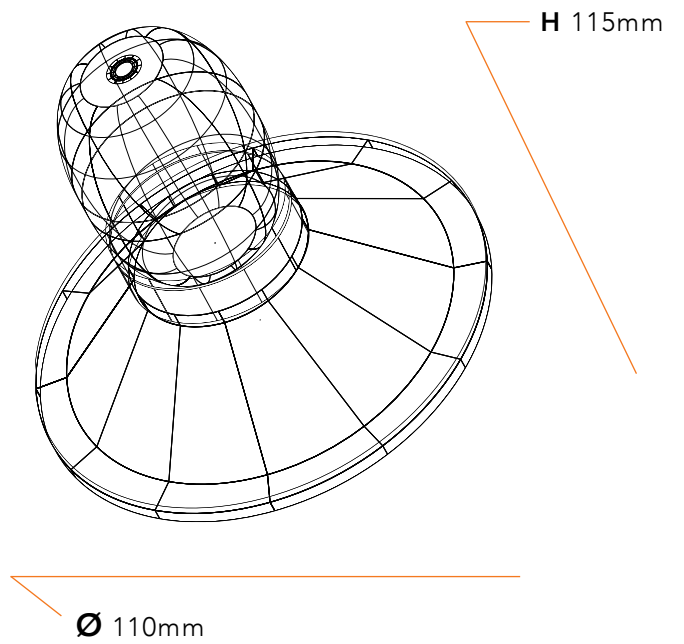
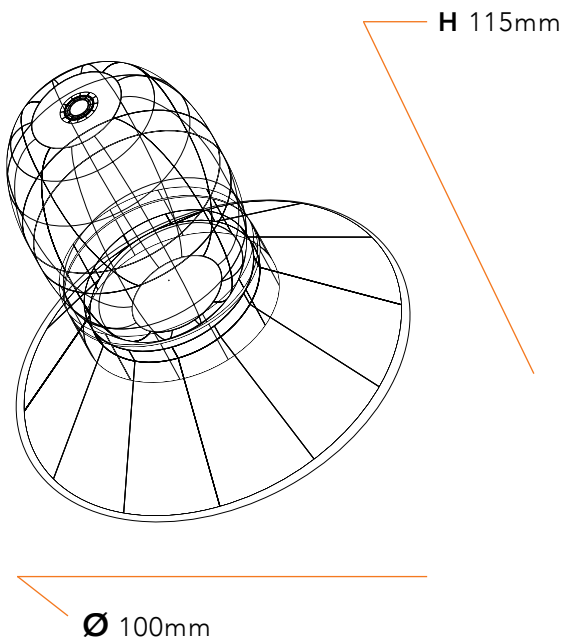




Edge 100



Edge 110



EDGE Mini

Don't let the small size fool you, the EDGE Mini packs a powerful punch!

Providing intense illumination with very little energy, ideal for areas with lower ceilings like bathrooms and over vanity mirrors.





EDGE 100

Perfectly balanced - the EDGE 100 downlight features a trimless, concave design and a deep set lamp position, it's very discreet. Utilizing advanced LED engines to achieve unmatched illumination with a fraction of the energy.

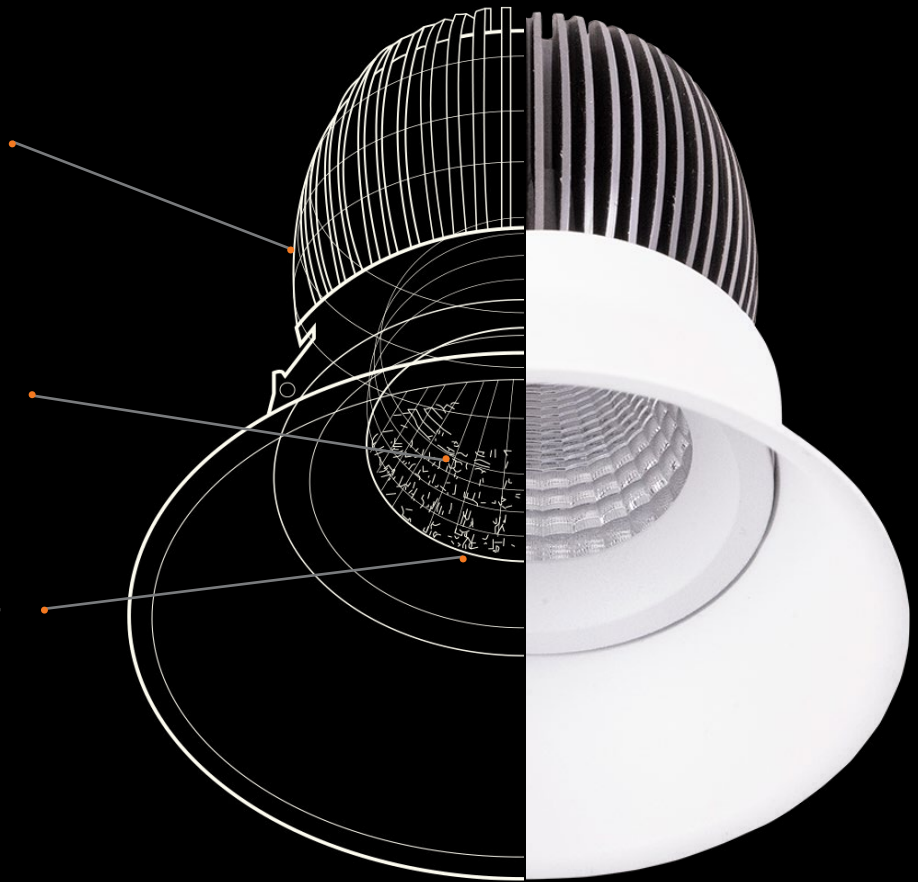
+ Specially designed heat sink

Designed from the inside out. For class leading heat dissipation.

+ Deep set lamp position
For visual comfort and glare control.

+ Precision reflector with clear lens.

For better light distribution and performance.



**Adjustable head
up to 25°**



EDGE 110

A clean finish every time - the EDGE 110 downlight features a wider trim for ease of install, especially when recessed into concrete ceilings. Utilizing advanced LED engines to achieve unmatched illumination with a fraction of the energy.



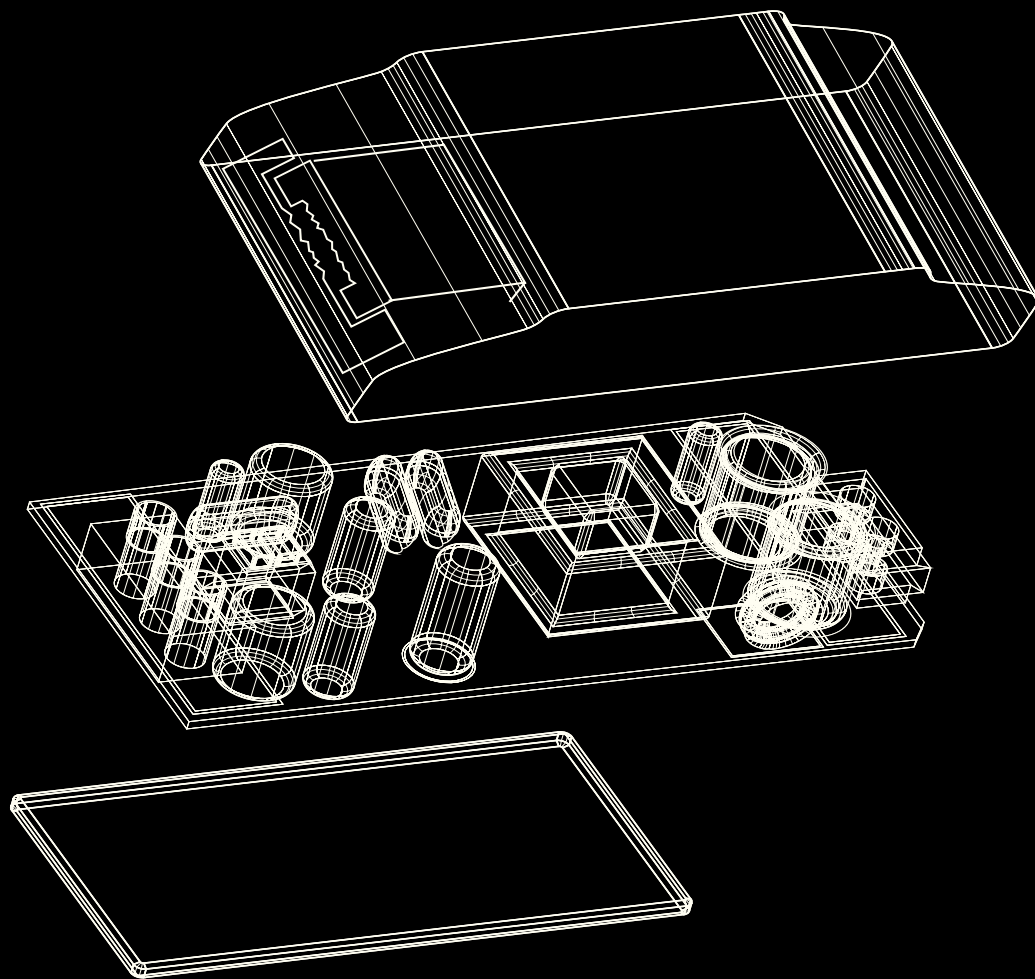


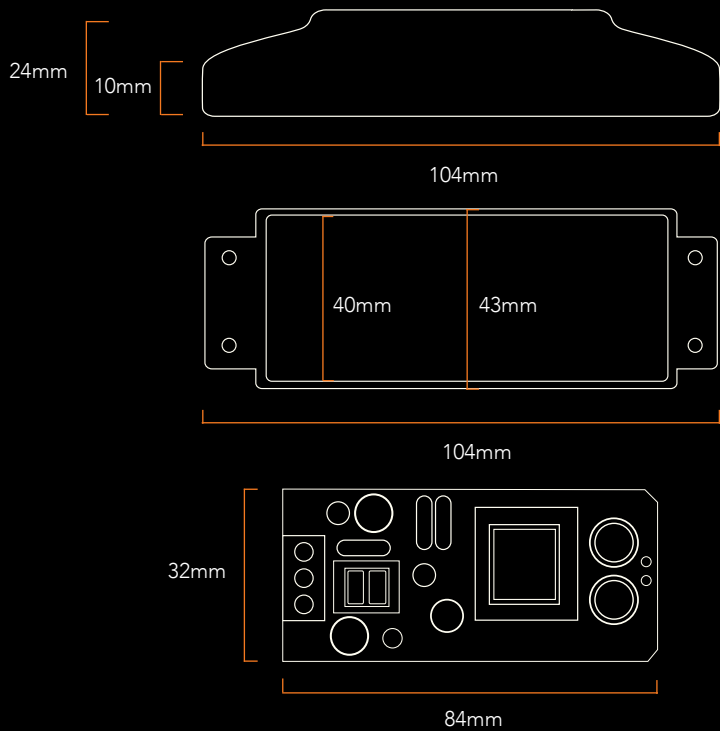
DIMMING LED DRIVER

The effects of flicker

LED Flicker is caused by voltage ripple at the output of the AC power supply.

More specifically – the flicker is the change in motion brought on by a light stimulus whose luminance alternates with time for a static observer in a non-static environment. Most modern light sources include some kind of flicker (even though much of it is invisible to the human eye) and this can have serious health implications for all living things. Long term exposure to flicker can trigger issues such as headaches, eye strain, visual impairment and even epileptic seizures in some cases. Therefore, our team made the development of a flicker-free driver a top priority.





Flicker free

Advanced digital control technology to detect dimmer type and phase, providing dynamic impedance to connect dimmer and control LED brightness at the same time.

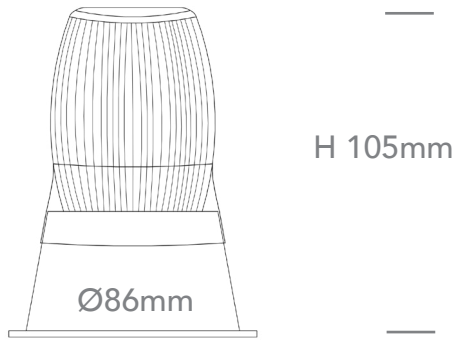
Unique digital flicker-free technology eliminates flicker throughout the entire dimming range and minimizes low-frequency output ripple currents.

Flicker Free driver features

- Two stage power factor correction, high frequency driver – which modulate the output frequency, ripple & noise
- Extended lifetime
- Exceeds current flicker and stroboscopic standards
- Increased power factor, ensuring greater efficiency
- Advanced dimmer detection technology



EDGE MINI



PRODUCT CODE

White, 3000K, 36°	118-ED2M11W363
White, 3000K, 60°	118-ED2M11W603
White, 4000K, 36°	118-ED2M11W364
White, 4000K, 60°	118-ED2M11W604
Black, 3000K, 36°	118-ED2M11B363
Black, 3000K, 60°	118-ED2M11B603
Black, 4000K, 36°	118-ED2M11B364
Black, 4000K, 60°	118-ED2M11B604

GENERAL SPECIFICATIONS

LED	11W *operating wattage 12W
Lumens	976 lm (3000K) 1080 lm (4000K)
Colour	3000K, Warm White 4000K, Cool White
Efficacy	81 lm/w (3000K) 90 lm/w (4000K)
Beam	36° 60°
Material	Powder Coat Aluminium
CRI	92+
Finish	White Black
IP	44
Colour Deviation	SDCM ≥2
Warranty	7 Years
Lifetime	318,000hrsL70

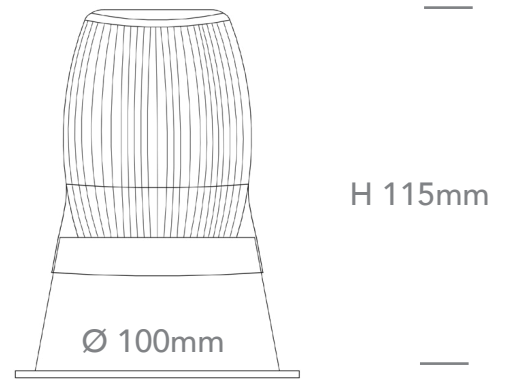
DRIVER SPECIFICATIONS

L 98 x W 40 x H 22 mm

Power	240V Remote Flicker Free Dimmable Driver
Dimming	Phase Cut Dimming
Power Factor	> 0.90



EDGE 100



PRODUCT CODE

White, 3000K, 36°	118-ED2L13W363
White, 3000K, 60°	118-ED2L13W603
White, 4000K, 36°	118-ED2L13W364
White, 4000K, 60°	118-ED2L13W604
Black, 3000K, 36°	118-ED2L13B363
Black, 3000K, 60°	118-ED2L13B603
Black, 4000K, 36°	118-ED2L13B364
Black, 4000K, 60°	118-ED2L13B604

GENERAL SPECIFICATIONS

LED	13W *operating wattage 14.8W
Lumens	1182 lm (3000K) 1241 lm (4000K)
Colour	3000K, Warm White 4000K, Cool White
Efficacy	73 lm/w (3000K) 84 lm/w (4000K)
Beam	36° 60°
Material	Powder Coat Aluminium
CRI	92+
Finish	White Black
IP	44
Colour Deviation	SDCM ≥2
Warranty	7 Years
Lifetime	318,000hrsL70

DRIVER SPECIFICATIONS

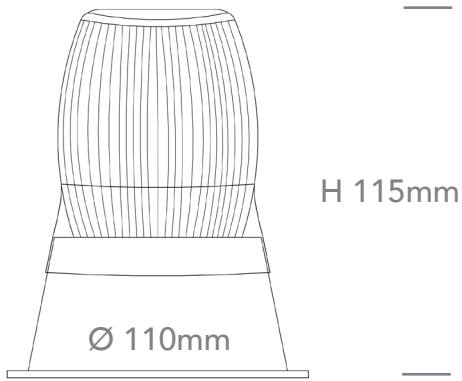
L 104 x W 43 x H 24 mm

Power	240V Remote Flicker Free Dimmable Driver
Dimming	Phase Cut Dimming
Power Factor	> 0.90



EDGE 110

Ø92



PRODUCT CODE

White, 3000K, 36°	118-ED2W13W363
White, 3000K, 60°	118-ED2W13W603
White, 4000K, 36°	118-ED2W13W364
White, 4000K, 60°	118-ED2W13W604
Black, 3000K, 36°	118-ED2W13B363
Black, 3000K, 60°	118-ED2W13B603
Black, 4000K, 36°	118-ED2W13B364
Black, 4000K, 60°	118-ED2W13B604

GENERAL SPECIFICATIONS

LED	13W *operating wattage 14.8W
Lumens	1182 lm (3000K) 1241 lm (4000K)
Colour	<input type="checkbox"/> 3000K, Warm White <input type="checkbox"/> 4000K, Cool White
Efficacy	79 lm/w (3000K) 84 lm/w (4000K)
Beam	36° 60°
Material	Powder Coat Aluminium
CRI	92+
Finish	White Black
IP	44
Colour Deviation	SDCM ≥2
Warranty	7 Years
Lifetime	318,000hrsL70

DRIVER SPECIFICATIONS

L 104 x W 43 x H 24 mm

Power	240V Remote Flicker Free Dimmable Driver
Dimming	Phase Cut Dimming
Power Factor	> 0.90



F A Z E

1300 438 609

Radiant Lighting
10 Gibberd Road
Balcatta W.A 6021

www.faze.com.au

