

EDGE 100 FRAME 2 LIGHT



PROJECT DETAILS

PROJECT:

TYPE:

NOTES:

FEATURES

- + Allows a double light configuration.
- + Seamless styling.
- + 3mm ceiling detail.

DIMENSIONS (mm)

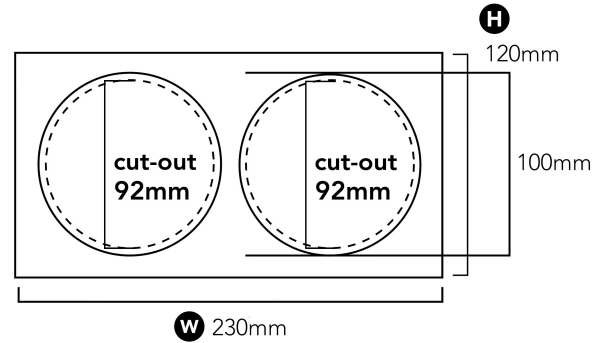
GENERAL SPECIFICATIONS

Fittings Required	Edge 100
Material	Powder Coated Aluminium
Finish	White Black
Dimensions	230mm (w) x 120mm (h) x 3mm (d)
Warranty	7 Years

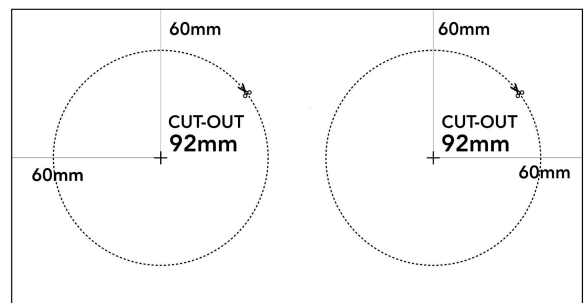
PRODUCT CODE

White	118-EDLF2W
Black	118-EDLF2B

Product Dimensions



Cut-Out Information



***Please note:** Edge 100 fittings are supplied seperately.



Perfectly balanced - the EDGE 100 downlight features a minimal trim design and deep set lamp position, its very discreet. Utilising advanced LED engines to achieve unmatched illumination with a fraction of the energy.

FEATURES

- + Adjustable head up to 25°
- + Precision reflector with clear lens - for better light distribution
- + Specially designed heat sink - for class leading heat dissipation
- + Deep set lamp position - for visual comfort and glare control
- + Compatible with remote Casambi CBU-TED Bluetooth Controllable Dimmer (71-CASCBU) & with Casambi BasicDim Driver 13W (71-CAS350)



GENERAL SPECIFICATIONS

LED	13W *operating wattage 14.8
Lumens	1200 lm (3000K) 1320 lm (4000K)
Efficacy	79 lm/w (3000K) 87 lm/w (4000K)
Colour Temperature	<input type="checkbox"/> 3000K, Warm White <input type="checkbox"/> 4000K, Cool White
Material	Powder Coated Aluminium
Finish	White Black
Beam	15° 24° 36° 60°
CRI	92+
IP	44
Colour Deviation	SDCM ≤2
UGR	<19
Lifetime	>55,000hrs L80 B10
Warranty	7 Years

Please Note: When using C-Bus, use universal or trailing edge dimming modules

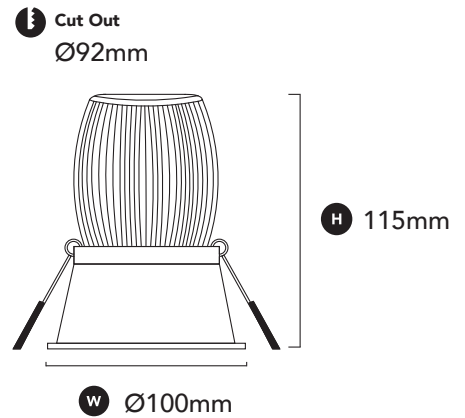
PROJECT DETAILS

PROJECT:

TYPE:

NOTES:

DIMENSIONS (mm)



DRIVER SPECIFICATIONS

L 104 x W 43 x H 24mm

Power	350mA 240V Remote Flicker Free Dimmable Driver
Dimming	Phase Cut Dimming
Power Factor	> 0.90

DALI dimming available upon request

PRODUCT CODES

White, 3000K, 60°	118-ED2L13W603
White, 4000K, 60°	118-ED2L13W604
Black, 3000K, 60°	118-ED2L13B603
Black, 4000K, 60°	118-ED2L13B604

REFLECTOR CODES

15° Reflector	118-RFLP15
24° Reflector	118-RFLP24
36° Reflector	118-RFLP36