

# EDGE 100 FRAME 2 LIGHT



## PROJECT DETAILS

PROJECT:

TYPE:

NOTES:

## FEATURES

- + Allows a double light configuration.
- + Seamless styling.
- + 3mm ceiling detail.

## DIMENSIONS (mm)

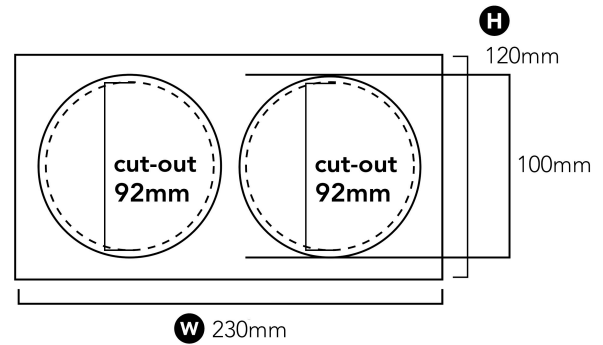
## GENERAL SPECIFICATIONS

<b>Fittings Required</b>	Edge 100
<b>Material</b>	Powder Coated Aluminium
<b>Finish</b>	White Black
<b>Dimensions</b>	230mm (w) x 120mm (h) x 3mm (d)
<b>Warranty</b>	7 Years

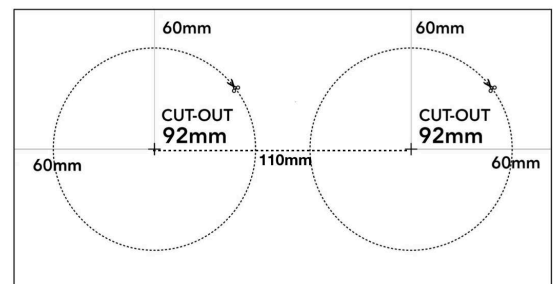
## PRODUCT CODE

White	<b>118-EDLF2W</b>
Black	<b>118-EDLF2B</b>

## Product Dimensions



## Cut-Out Information



**\*Please note:** Edge 100 fittings are supplied seperately.