

PROJECT:

TYPE:

NOTES:



**FEATURES**

- + Allows a square light configuration.
- + Seamless styling.
- + 3mm ceiling detail.

**DIMENSIONS (mm)**

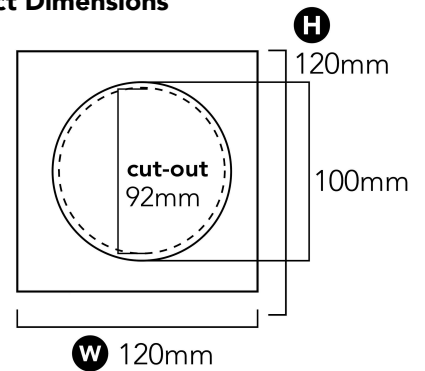
**GENERAL SPECIFICATIONS**

<b>Fittings Required</b>	Edge 100
<b>Material</b>	Powder Coated Aluminium
<b>Finish</b>	White Black
<b>Dimensions</b>	120mm (w) x 120mm (h) x 3mm (d)
<b>Warranty</b>	7 Years

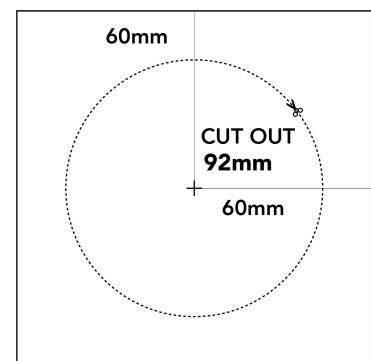
**PRODUCT CODE**

White	<b>118-EDLF1W</b>
Black	<b>118-EDLF1B</b>

**Product Dimensions**



**Cut-Out Information**



**\*Please note:** Edge 100 fitting is supplied seperately.

# EDGE 100

A clean finish every time - the EDGE 100 downlight features a wider trim for ease of install, especially when recessed into concrete ceilings. Utilising advanced LED engines to achieve unmatched illumination with a fraction of the energy.



## FEATURES

- + Adjustable head up to 25°.
- + Precision reflector with clear lens – for better light distribution.
- + Specially designed heat sink – for class leading heat dissipation.
- + Deep set lamp position – for visual comfort and glare control.
- + Suitable for concrete install with concrete canister. (Ordered Separately).
- + Next-Generation LED chip technology.
- + Compatible with remote Casambi CBU-TED Bluetooth Controllable Dimmer (71-CASCBU) & with Casambi BasicDim Driver 13W (71-CAS350).



## GENERAL SPECIFICATIONS

LED		10W	12W	15W
Lumens	(3000K)	960 lm	1105 lm	1270 lm
	(4000K)	1000 lm	1150 lm	1320 lm
Efficacy		Up to 95 lm/W		
Colour Temperature	<span style="display:inline-block; width:10px; height:10px; background-color:#f96; border:1px solid black;"></span> 3000K, Warm White			
	<span style="display:inline-block; width:10px; height:10px; background-color:#fff; border:1px solid black;"></span> 4000K, Cool White			
Material		Powder Coated Aluminium		
Finish		White   Black		
Beam		15°   24°   36°   60°		
CRI		92+		
IP		44		
Colour Deviation		SDCM ≤2		
UGR		<19		
Lifetime		>55,000hrs L80 B10		
Warranty		7 Years		

**Please Note:** When using C-Bus, user universal or trailing edge dimming modules.

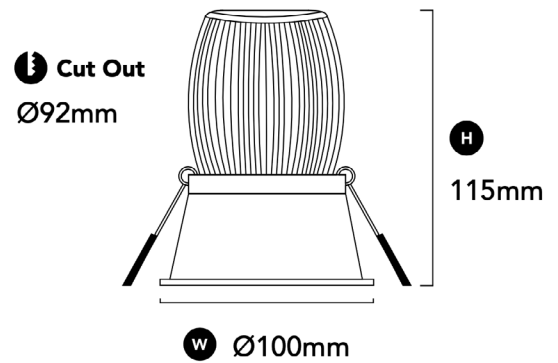
## PROJECT DETAILS

PROJECT:

TYPE:

NOTES:

## DIMENSIONS



## DRIVER SPECIFICATIONS

Dimensions	L 104 x W 43 x H 24 mm
Power	250mA   300mA   350mA 240V Remote Flicker Free Dimmable Driver
Dimming	Phase Cut Dimming
Power Factor	> 0.90

DALI Dimming Available Upon Request

## PRODUCT CODES

White, 3000K	118-ED2L13W603
Black, 3000K	118-ED2L13B603
White, 4000K	118-ED2L13W604
Black, 4000K	118-ED2L13B604

## REFLECTOR CODES

36° Reflector	118-RFLP36
24° Reflector	118-RFLP24
15° Reflector	118-RFLP15