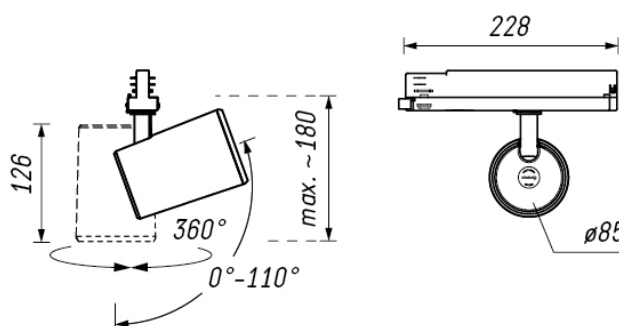


## IQONA IMT

CEILING/ARCHITECTURAL

BY ANSORG

PROJECT	
TYPE	
NOTES	



<b>PRODUCT NAME</b>	Iqona IMT
<b>DESIGNER</b>	Ansorg
<b>MANUFACTURER</b>	Ansorg
<b>PRODUCT CODE</b>	Upon Request
<b>CATEGORY</b>	Ceiling / Architectural
<b>LIGHT SOURCE</b>	19W   23W   27W   31W   35W
<b>DIMMABLE</b>	No

<b>COLOUR DEVIATION</b>	SDCM ≤ 3
<b>IP</b>	20
<b>DIMENSIONS</b>	See line drawing
<b>CONNECTION DATA</b>	220-240 V, 50/60 Hz (110-277 V on request)
<b>FINISHES</b>	White   Anthracite   Silver
<b>ORIGIN</b>	Germany
<b>WARRANTY</b>	1 Year