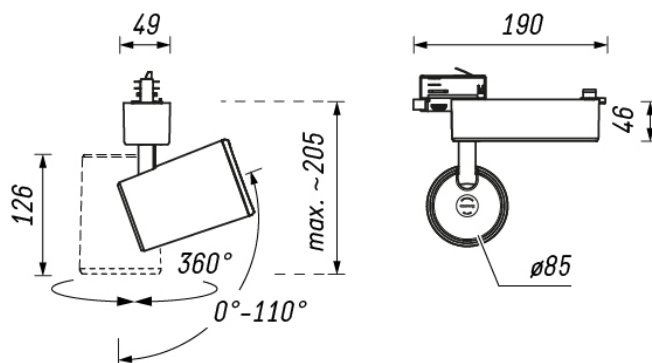


PROJECT	
TYPE	
NOTES	

IQONA IMM

CEILING/ARCHITECTURAL

BY ANSORG



PRODUCT NAME	Iqona IMM
DESIGNER	Ansorg
MANUFACTURER	Ansorg
PRODUCT CODE	Upon Request
CATEGORY	Ceiling / Architectural
LIGHT SOURCE	19W 23W 27W 31W 35W
DIMMABLE	No

COLOUR DEVIATION	SDCM ≤ 3
IP	20
DIMENSIONS	See line drawing
CONNECTION DATA	220-240 V, 50/60 Hz (110-277 V on request)
FINISHES	White Anthracite Silver
ORIGIN	Germany
WARRANTY	1 Year