



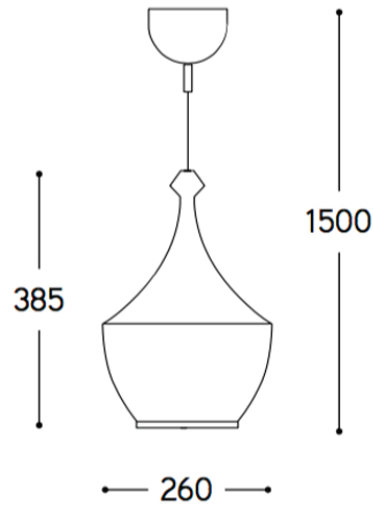
radiantlighting

# I LUSTRI L3

SUSPENSION

BY ALDO BERNARDI

PROJECT	
TYPE	
NOTES	



PRODUCT NAME	I Lustri L3
DESIGNER	Aldo Bernardi
MANUFACTURER	Aldo Bernardi
PRODUCT CODE	116-L3/BL (Glossy White) 116-L3/NL (Glossy Black) 116-L3/BM (Matt White) 116-L3/NM (Matt Black) 116-L3/MR (Copper Metal) 116-L3/NR (Iridescent Black) 116-L3/AU (Gold) 116-L3/PT (Platinum) 116-L3/CU (Copper) 116-L3/ROP (Platinum/Gold) 116-L3/ROR (Gold/Copper) 116-L3/RPR (Platinum/Copper)
CATEGORY	Suspension
MATERIAL	Ceramic

FINISHES	Glossy White Glossy Black Matt White Matt Black Copper Metal Iridescent Black	Gold Platinum Copper Platinum/Gold Gold/Copper Platinum/Copper
IP	20	
ORIGIN	Italy	
LIGHT SOURCE	10W LED or Max 70W E27	
DIMMABLE	LED: Yes E27: dependant on bulb	
DIMENSIONS	Ø 26 x 150 (H) cm	
WARRANTY	2 years	