



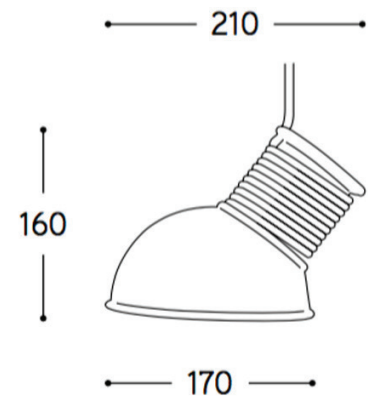
radiantlighting

I LUSTRI L10

BY ALDO BERNARDI

SUSPENSION

PROJECT	
TYPE	
NOTES	



PRODUCT NAME	I Lustri L10	
DESIGNER	Aldo Bernardi	
MANUFACTURER	Aldo Bernardi	
PRODUCT CODE	116-L10/BL/ 116-L10/BM/ 116-L10/NL/ 116-L10/NM/ 116-L10/MR/ 116-L10/NIR/ 116-L10/PT/ 116-L10/AU/ 116-L10/CU/	Cable Codes: CAVOAZ (blue) CAVOROS (red) CAVONE (black) CAVOGRI (grey) CAVOBI (white) CAVOGIA (yellow)
CATEGORY	Suspension	
MATERIAL	Ceramic	

FINISHES	Glossy White (BL) Matte White (BM) Glossy Black (NL) Matte Black (NM) Copper Metal (MR)	Iridescent Black (NIR) Platinum (PT) Gold (AU) Copper (CU)
IP	20	
ORIGIN	Italy	
LIGHT SOURCE	E27 max 42W	
DIMMABLE	No	
DIMENSIONS	Ø 21 x 16 (H) cm	
WARRANTY	2 years	