



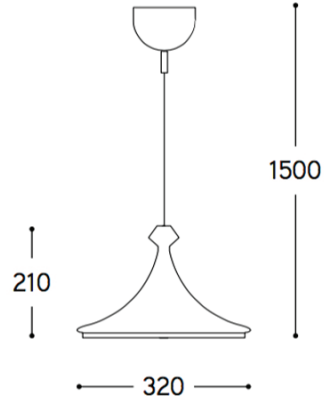
radiantlighting

I LUSTRI L1

SUSPENSION

BY ALDO BERNARDI

PROJECT	
TYPE	
NOTES	



PRODUCT NAME	I Lustri L1
DESIGNER	Aldo Bernardi
MANUFACTURER	Aldo Bernardi
PRODUCT CODE	116-L1/BL (Glossy White) 116-L1/NL (Glossy Black) 116-L1/BM (Matt White) 116-L1/NM (Matt Black) 116-L1/MR (Copper Metal) 116-L1/NR (Iridescent Black) 116-L1/AU (Gold) 116-L1/PT (Platinum) 116-L1/CU (Copper) 116-L1/ROP (Platinum/Gold) 116-L1/ROR (Gold/Copper) 116-L1/RPR (Platinum/Copper)
CATEGORY	Suspension
MATERIAL	Ceramic

FINISHES	Glossy White Glossy Black Matt White Matt Black Copper Metal Iridescent Black	Gold Platinum Copper Platinum/Gold Gold/Copper Platinum/Copper
IP	20	
ORIGIN	Italy	
LIGHT SOURCE	10W LED	
DIMMABLE	Yes	
DIMENSIONS	Ø 32 x h 150 cm	
WARRANTY	2 years	