

HUNZA™ PURE
OUTDOOR
LIGHTING

2017



PURE NEW ZEALAND LIGHT™



SAATCHI & SAATCHI

2014

europlan

europlan

HAWORTH
by europlan

CONTENTS

INTRODUCTION

- 2 Exceptional Durability
- 3 Pure Sustainability
- 4 Pure Drama
- 5 Pure Precision
- 6 Pure Technology

PRODUCTS

- 8 Light Sources
- 13 Architectural
- 24 Ground and Deck
- 31 Pole Mounted
- 41 Recessed and Inground
- 50 Step
- 56 Wall Mount
- 69 Tree Mount
- 74 Ceiling Mount
- 80 Underwater
- 85 Accessories
- 93 Power Supply
- 105 Warranty
- 106 Product Care

PURE NEW ZEALAND LIGHT™

Cable Bay Vineyards, Waiheke Island, New Zealand

At Hunza, we take pride in making the finest outdoor lights in the world. Engineered in New Zealand from the best materials, they enable extraordinary outdoor lighting effects, last for decades and are environmentally sustainable. Here are the 4 core attributes that distinguish a Hunza luminaire:

1 Exceptional Durability

All Hunza luminaires are designed to endure for decades. Outdoor lighting isn't just another part of our focus, it's our whole focus. We have the best technology and production processes in place to ensure that our lighting fixtures withstand the test of time.

We understand the high degree of physical stress outdoor luminaires are subjected to and that's why quality is an integral part of our daily approach to the development of new products. Our luminaires feature precision engineered bodies and the best components such as high temperature gaskets and CNC machined parts.



Hunza Story

1991

WHEN IT ALL BEGAN

Andrew Cunningham, an entrepreneur, realised there was a business opportunity to produce his own low voltage halogen lighting transformers. He set up Hunza Productions Ltd and then started to produce his first lighting transformers out of his garage in Auckland, New Zealand.

1990

EXPORTING

Hunza Productions Ltd took its first steps into exporting, when the company started to export complete transformers to Western Australia.

1993

STEPPING OUT

Production had grown to a level that meant Andrew could no longer continue to work out of his garage, so he moved Hunza Productions Ltd out into its first factory. It was a small 75 m² (800-ft²) factory in Mt Roskill, Auckland. He then hired his first two employees.

1994

EXPANSION

Hunza started exporting to parts of Western Australia. The business had already grown out of its old factory and had moved into a 186 m² (2000-ft²) factory located in Panmure, Auckland.

Growth

Hunza started distributing its products to Sydney as well as further down the coast to Victoria. Again Hunza had to upsize and the company moved into a 697 m² (7500-ft²) factory in Panmure.

1997

1995

A PARTNERSHIP IS BORN

Hunza Productions Ltd started working with Swages Engineering Ltd, making complete outdoor lights. Hunza's first product range consisted of 6 different luminaire models.



2 Pure Sustainability

Hunza is committed to sustainability. Our approach begins with a commitment to product longevity. Our products do not need constant replacement and require only minimal maintenance. They incorporate the latest energy efficient technology to minimise use of power and natural resources.

We provide a comprehensive range of low energy light sources for all our luminaires to help reduce power usage. Our PURE LED products are the most sustainable alternative to traditional lighting sources.

We also take pride in ensuring that our manufacturing processes have minimal environmental impact. Where possible, we specify materials that are easily recyclable.

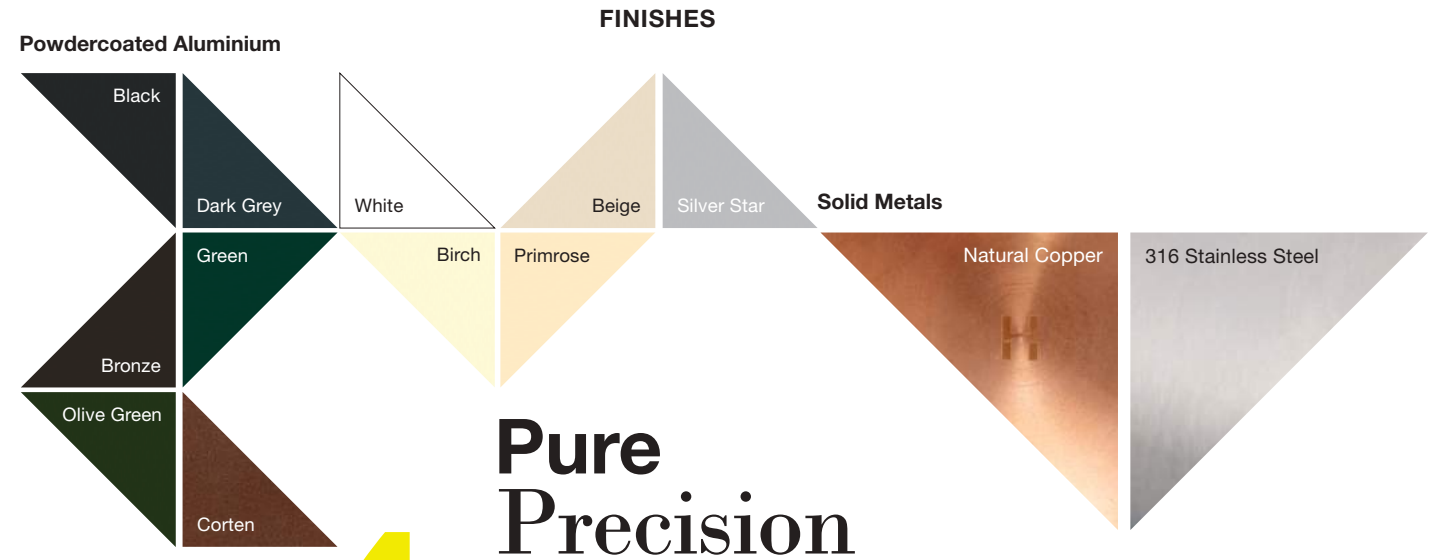
3

Pure Drama



New Zealand is renowned for its natural beauty and the extraordinary quality of its pure natural light. At Hunza this constantly inspires us to create the finest outdoor lights in the world. We understand the science of light and we create and engineer products that transform the night.

Our products can make any ordinary space desirable by enhancing the visual environment and transforming it into something truly remarkable.



Pure Precision

Hunza products are precision engineered from the finest raw materials and components. We use only refined aluminium, natural copper or 316 stainless steel. Our luminaires are designed and CNC machined using the latest 3D software that assures total accuracy and performance.

No mass production. No assembly lines. Quality allows no room for compromise or errors. Each luminaire we produce is meticulously crafted using the latest CNC machining technology and then hand assembled by people who take personal pride in the quality of each product.

4

2001

USA
Hunza Productions Ltd formed Hunza Lighting USA, to develop its sales in the USA and Canada.

The Home of Hunza

2008

CONSOLIDATION

The distribution of Hunza products in Queensland, Victoria and Tasmania was moved away from the existing distributor, and reassigned to the Hunza Lighting International group as Hunza Lighting Australia.

1998

EUROPE
Hunza exported its first lights into the UK and the greater European region.



Hunza Productions Ltd moved to its current premises in St. Johns, Auckland – a 2800 m² (30,000-ft²) factory.

2007

THE MIDDLE EAST
Hunza Lighting USA decided to expand its scope to include a sales branch in the Middle East. To reflect this change Hunza Lighting USA was shut down and re-established as Hunza Lighting International Ltd. During the same year, Hunza Productions Ltd launched its award-winning Safe Touch range, which are arguably the safest inground luminaires on the market.

2009

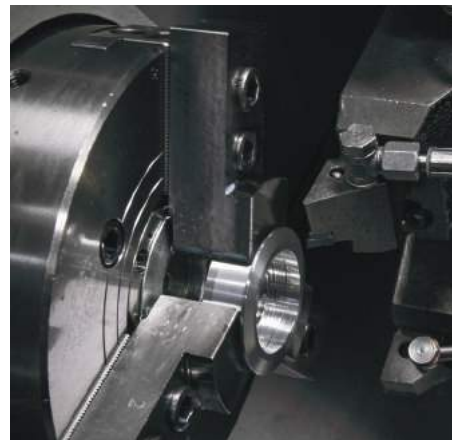
LEAN MANUFACTURING
Hunza got involved with LEAN manufacturing programme to improve our efficiency and productivity.

5

To achieve the utmost in longevity and performance, Hunza incorporates the most advanced technology available in the manufacture of our lighting products. Continuous technical innovation ensures that we stay at the forefront of luminaire design.

Pure Technology

5.1 CNC



We design our fixture components on advanced computer (CAD) software and individually mill them on Computer Numeric Control (CNC) machines. These are high precision machines that ensure accuracy of component dimensions, delivering the following benefits:

- ▶ Precise fit of parts and threads
- ▶ Superior waterproof protection
- ▶ Outstanding exterior finish & design
- ▶ Flexible design options – i.e. the ability to customise products for complex installations

5.2 LED

Hunza's LED technology is second to none, accomplished through the combination of industry-leading Cree LED chips, together with the most advanced optics and our computer designed heat management systems. The end result is unparalleled light output, unmatched lumens per watt and superb energy efficiency. This is an integral part of our commitment to sustainability.



2012

5.3 Materials

We use the highest quality, machine-grade raw materials in the construction of our luminaires, to maximise their life and provide a long lasting finish. Machine-grade metals contain few impurities and gas bubbles, making them very resistant to cracking and breakage. Heavy duty, machined luminaire components will not bend or dent like stamped components and our powder coat finish will bond much better to the higher grade machined aluminium.

Natural Copper

Hunza copper fittings are machined from high-grade bar stock. Our copper is a natural finish designed to age slowly and gain an individual patina over time. It is extremely long lasting and low maintenance, and the patina develops a self-healing surface when scratched. Aged copper provides earthy, natural tones that blend ideally with the landscape.



Solid Stainless Steel

Hunza stainless steel fittings are machined from solid and hollow 316 grade bar stock to ensure maximum corrosion protection.



Solid Aluminium with Tri-Layer Protection

Hunza aluminium fittings are machined from high-grade, low-copper bar stock to maximise longevity & paint adherence. We apply a 4-step cleaning and chromating process for high corrosion resistance, then finish the protection with a UV resistant, baked powder-coat finish in 10 standard colours. Inground fixtures also have an additional epoxy sub-layer to provide extra durability. We are a fully certified Orica/Dulux ISO9000 Applicator.



2009

BETTER BY DESIGN

Hunza got involved with Better by Design to ensure our company stays relevant in an ever-changing market. The programme helped us learn how to use design to become more innovative, efficient and internationally competitive, to modernize the brand image and incorporate design across key company activities.

2010

INTERNATIONAL LIGHTING FAIR

Hunza's products were showcased at Frankfurt Light + Building, the world's leading trade fair for lighting and building services technology.

PURE LED

Hunza's new modular integrated LED system was introduced for most of Hunza's luminaires. It was designed to provide the ultimate combination of light output, illumination control and long-term performance.

2015

COMMERCIAL & ARCHITECTURAL

After the introduction of PURE LED, Hunza invested significant R&D resources to the development of higher output LED solutions, leading to the launch of our commercial and architectural grade fixtures in the High Power and Ultra series. These are market leading products with innovative design and unequalled lumen per watt performance.

The Hunza Group is planning to continue its steady growth by launching more new products, building a stronger sales network in our established markets and expanding into new territories, consistently pursuing our ultimate goal to become the world's most desired outdoor lighting brand.

The Future

The Present

The Hunza Group now has over 40 employees worldwide. Our manufacturing plant has the highest percentage of deaf workers of any company in New Zealand. We supply our luminaires to a wide range of international commercial and residential projects, including the Burj Khalifah in Dubai and celebrity properties such as Michael Schumacher's residence. In 2016 we launched our latest range of Arch Bollard architectural grade fixtures for commercial applications and public spaces.

Light Sources

Hunza offers a comprehensive range of lamp options including LED and halogen allowing you to choose the appropriate light source for your specific application.

Cable Bay Vineyards, Waiheke Island, New Zealand



PURE LED High Power and Ultra

CATEGORY

Light Sources

PURE LED XPG-3 Specifications (per head)

LED Chip	Cree XPG-3 Plug and Play, field replaceable LED boards
Luminaire Output*	120 lumens @ 700mA
Lumens Per Watt	60 lumens minimum
CRI Warm White (3000K)	85+, 90+(optional), 3 MacAdam steps
Colour Temperature	2700K, 3000K and 4000K, Red, Green, Blue, Amber

PURE LED MTG2 Specifications (per head)

LED Chip	Cree 6 Watt MTG2 plug and play, field replaceable LED boards
Luminaire Output*	600 lumens @ 1050mA
Lumens Per Watt	100 lumens @ 6 watt
CRI Warm White (3000K)	85+, 90+(optional), 2 MacAdam steps
Colour Temperature	2700K, 3000K and 4000K

HIGH POWER Specifications (per head)

LED Chip	Cree 12 Watt MTG2 plug and play, field replaceable LED boards
Luminaire Output*	1000 lumens @ 2080mA
Lumens Per Watt	83 lumens @ 12 watts
CRI Warm White (3000K)	85+, 90+(optional), 2 MacAdam steps
Colour Temperature	2700K, 3000K and 4000K

ULTRA Specifications (per head)

LED Chip	Cree 60 Watt CXA Chip
Luminaire Output*	5000 lumens @ 1400mA
Lumens Per Watt	80 lumens @ 60 watts
CRI Warm White (3000K)	85+, 90+(optional), 2 MacAdam steps
Colour Temperature	2700K, 3000K and 4000K

* Actual delivered output from a luminaire with unobstructed beam.

Hunza PURE LED is a modular LED system designed to provide the ultimate combination of light output, illumination control and long-term performance from an outdoor-rated, sealed luminaire. It uses a single chip with high performance optics to provide the optimum lighting effect. There is a PURE LED option for most luminaires in the Hunza product range.

Please see individual specification sheets for information on the LED options available.

CREE LED AND PLUG-IN CIRCUIT BOARD

The heart of the system is Hunza's Plug-and-Play board that allows the LED to easily be unplugged and replaced in the field. The unique design delivers maximum performance from

the market leading Cree LED chips and, in the event of an LED problem, Hunza's Plug-and-Play feature allows easy replacement or upgrade of the LED chip.

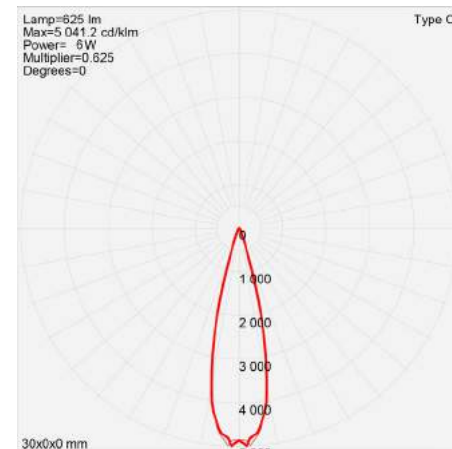
Hunza has selected Cree as our core LED supplier due to their reputation as the market-leading innovator of lighting-class LEDs. Cree pioneered the use

of innovative materials such as silicon carbide (SiC), which provides high heat transfer efficiency for lighting applications. Using SiC as a platform material, Cree has spent over 20 years developing an array of new technologies that far surpass traditional ones

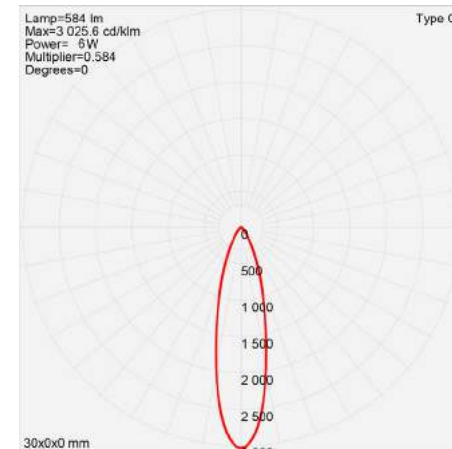
DRIVER SYSTEM
Hunza PURE LED has a remote series driver option that allows connection of several luminaires to a single power supply, helping to isolate the driver from heat sources, thereby prolonging the operational life and reliability.

PURE LED MTG2 AND HIGH POWER BEAM ANGLES

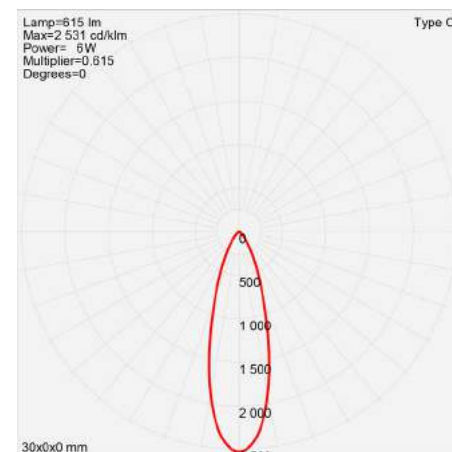
15° Angle TIR Lens



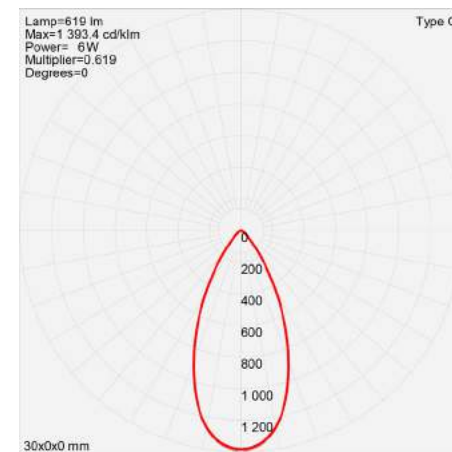
25° Angle TIR Lens



38° Angle TIR Lens

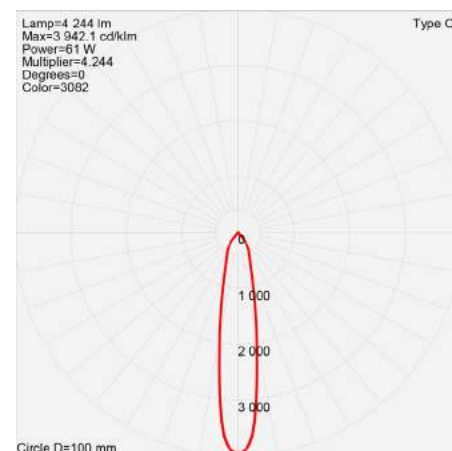


60° Angle TIR Lens

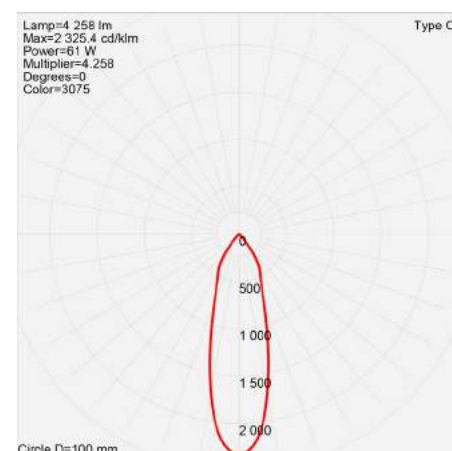


ULTRA LED BEAM ANGLES

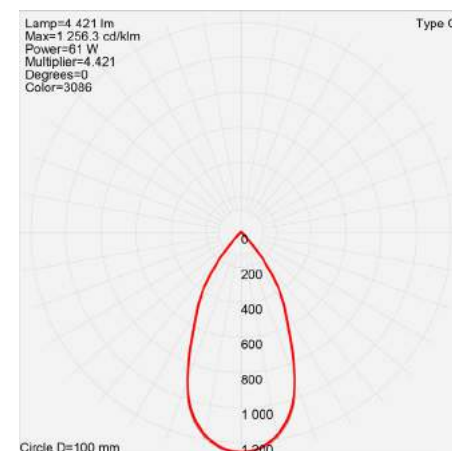
22° Reflector



33° Reflector



51° Reflector



Tilting Module Pure LED ^{TLTM}

CATEGORY

Light Sources

DESCRIPTION

The Tilting Module is designed to fit into HUNZA 63.5mm (2.5") diameter PURE LED bodies. It allows 360° rotation and 12° tilt from centre. The spherical gimbal allows infinite beam correction for uneven surfaces and directional adjustment for glare control, particularly useful for Floor Lites, Pool Lites and Step Lites.

It is machined from solid aluminium to maximise heat dissipation, and features the Hunza multi-coat protection system, including chromate and anodised layers, for maximum corrosion resistance.

TLTM



Plug-In LED Lamps

CATEGORY

Light Sources

Hunza offers a range of high quality, LED lamps that plug into our standard halogen lamp holders and operate with our range of transformers. Some lamp models (GU10) can be connected directly to 120/240 volt household power supply.



DESCRIPTION

Promus MR16 6W LED Lamp

Input 12 volt, AC or DC, 5 watts

Beam Angle	25, 45 or 60 degrees
Lamp Output	320 lumens
Colour Temperature	3000k
Life	Up to 30,000 hours
Suits	Most HUNZA MR16 luminaires

Promus GU10 6w LED Lamp

Input 90-260 volt, 5 watts

Beam Angle	25, 45, or 60 degrees
Lamp Output	320 lumens
Colour Temperature	3000k
Life	Up to 30,000 hours
Suits	Most HUNZA GU10 luminaires

Promus MR11 2w LED Lamp

Input 12 volt, AC or DC, 2 watts

Beam Angle	30 degrees
Lamp Output	120 lumens
Colour Temperature	3000k
Life	Up to 50,000 hours
Suits	All HUNZA Euro (MR11) luminaires

Promus G4 JC LED Lamp (Cylindrical)

Input 12 volt, AC or DC, 1.5 watts

Lamp Output	100 lumens
Colour Temperature	3000k
Life	Up to 30,000 hours
Suits	Fern Lite, Pagoda Lite, Mini Bollard, Border Lite, Walkway Lite, Twig Lite.

Promus G4 Wafer LED Lamp (Flat Disc)

Input 12 volt, AC or DC, 1.8 watts

Lamp Output	90 lumens
Colour Temperature	3000k
Life	Up to 30,000 hours
Suits	Mouse Lite

Architectural

The Architectural range features robust, industrial grade fixtures that are ideal for commercial applications. All fittings have a sleek and contemporary aesthetic that will enhance any architectural setting.

Wall Spot Ultra ^{WS/U}

CATEGORY

Architectural Ultra Range

DESCRIPTION

The Ultra Wall Spot LED has been designed to be mounted on horizontal and vertical surfaces. It can be used for wall washing, to provide directional light, and to highlight architectural features and structural elements. The head is adjustable, with a robust locking mechanism.

ULTRA (per head)

LED Chip	Cree CXA Plug and Play, field replaceable COB LED boards
Luminaire Output*	5000 lumens @ 1400mA
Lumens Per Watt	80 lumens @ 60 Watts
CRI Warm White (3000K)	85+, 90+(optional)
Colour Temperature	2700K, 3000K and 4000K
Beam Angle	22, 33, 51

* Actual delivered output from a luminaire with unobstructed beam

Physical Properties

Materials	Solid Tri-layer Powdercoated Aluminium with stainless fixings
Ingress Protection	IP66
Standards	AS/NZS 61046, UL 1598

Power Supply

Remote (Series) Driver, Retro 110/240 volt driver

WS/U



Pole Spot Ultra ^{PS/U} Flood Lite Ultra ^{PFL/U}

CATEGORY

Architectural Ultra Range

DESCRIPTION

The Ultra Pole Lite LED features 0-80 degree tilt and 360 degree rotation with a robust locking mechanism to allow precise directional lighting of landscape and architectural detail. The maximum pole length supplied by Hunza is 2M.

ULTRA (per head)

LED Chip	Cree CXA Plug and Play, field replaceable COB LED boards
Luminaire Output*	5000 lumens @ 1400mA
Lumens Per Watt	80 lumens @ 60 watts
CRI Warm White (3000K)	85+, 90+(optional)
Colour Temperature	2700K, 3000K and 4000K
Beam Angle	22, 33, 51

* Actual delivered output from a luminaire with unobstructed beam

Physical Properties

Materials	Solid Tri-layer Powdercoated Aluminium
Ingress Protection	IP56/P66
Standards	AS/NZS 61046, UL 1598

Power Supply

Remote (Series) Driver, Retro 110/240 volt driver



PS/U

PFL/U



FLANGE MOUNT OPTION

Down Lite Ultra ^{DL/U} Pillar Lite Ultra ^{PIL/U} Ceiling Mount Ultra ^{CM/U}

CATEGORY

Architectural Ultra Range

DESCRIPTION

The Down Lite Ultra LED luminaire has a fixed head to give a dramatic wash-lighting effect on walls – it can be directed either downwards or upwards. The Ceiling Mount Ultra is ideal for downlighting. The Pillar Lite Ultra illuminates both upwards and downwards, giving columns, gateway pillars and entrances a dramatic effect.

ULTRA (per head)

LED Chip	Cree CXA Plug and Play, field replaceable COB LED boards
Luminaire Output*	5000 lumens @ 1400mA – DL/U and CM/U 2800 lumens @ 700mA – PIL/U (per side)
Lumens Per Watt	80 lumens @ 60 watts
CRI Warm White (3000K)	85+, 90+(optional)
Colour Temperature	2700K, 3000K and 4000K
Beam Angle	22, 33, 51

* Actual delivered output from a luminaire with unobstructed beam

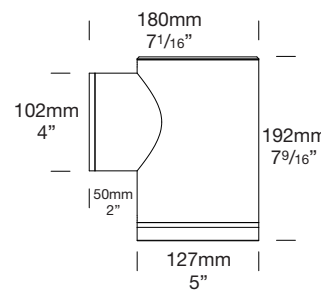
Physical Properties

Materials	Solid Tri-layer Powdercoated Aluminium
Ingress Protection	IP66
Standards	AS/NZS 61046, UL 1598

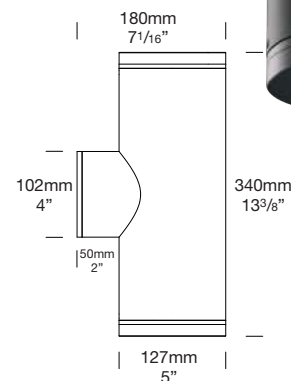
Power Supply

Remote (Series) Driver, Retro 110/240 volt driver

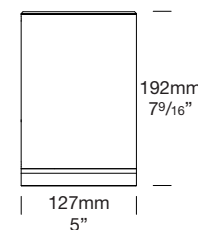
DL/U



PIL/U



CM/U



Bollard Ultra ^{BOL/U}

CATEGORY

Architectural Ultra Range

DESCRIPTION

The Hunza Ultra LED Bollard is ideal for commercial applications for ground lighting on driveways, pathways and public areas. It features 3 or 5 facets that cast a scalloped pattern with very low glare downward illumination.

ULTRA (per head)

LED Chip	5x Cree XPG-3 Plug and Play, field replaceable LED boards
Output	1200 lumens @ 1100mA
Lumens Per Watt	80 lumens @ 3 watts (per XPG-3)
CRI Warm White (3000K)	85+, 90+(optional)
Colour Temperature	2700K, 3000K and 4000K, Red, Blue, Green, Amber
Beam Angle	15, 25, 45

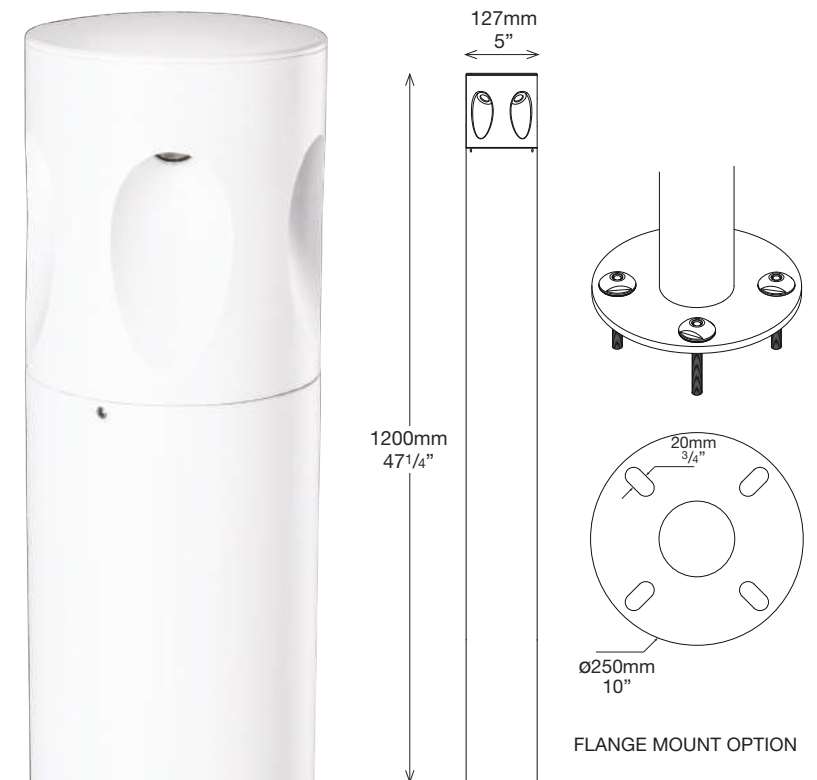
Physical Properties

Materials	Solid Tri-layer Powdercoated Aluminium
Ingress Protection	IP66
Standards	AS/NZS 61046, UL 1598

Power Supply

Remote (Series) Driver, Retro 110/240 volt driver

BOL/U



ST150 ST150/U

CATEGORY

Architectural Ultra Range

DESCRIPTION

The Ultra SafeTouch™ 150 inground luminaire has been specifically designed for uplighting with ultimate public safety as its primary objective. It produces high-output light, but operates with cool lens temperatures, low energy consumption and requires minimal maintenance. It has a fully adjustable gimbal allowing 360 degree rotation and 0-20 degree elevation. Dimmable.

ULTRA

LED Chip	Cree CXA Plug and Play, field replaceable COB LED boards
Luminaire Output*	5000 lumens @ 1400mA
Lumens Per Watt	80 lumens @ 60 watts
CRI Warm White (3000K)	85+, 90+(optional)
Colour Temperature	2700K, 3000K and 4000K
Beam Angle	22, 33, 51

* Actual delivered output from a luminaire with unobstructed beam

Physical Properties

Materials	Solid Bronze or 316 Stainless Steel flange
Ingress Protection	IP67
Standards	BS/EN 60598, UL 1598

Power Supply

Remote (Series) Driver, Retro 110/240 volt driver

ST150/U



ST150 GIMBAL



ST150 RGBW Ultra ST150RGBW/U

CATEGORY

Architectural Ultra Range

DESCRIPTION

The Ultra SafeTouch™ 150 RGBW inground luminaire has been designed for uplighting in public spaces, incorporating a high-output, multi-colour LED system that is controlled by DMX or DALI to produce any colour in the visible spectrum, including pastels and various shades of white.

Our RGBW LED system is superior to older RGB systems in that a range of warm white colour temperatures can be achieved, as well as a much more extensive range of subtle hues.

This fixture operates at very cool lens temperatures so it is safe for any public spaces and it has a fully adjustable gimbal allowing 360 degree rotation and 0-20 degree elevation.

ULTRA

LED Chip	XPG-3 x 48 field replaceable LED module
Output	3000 lumens with all colours on
Driver	ELDOLED Powerdrive 4 channel 100 Watt input 120-277VAC. Supplied by Hunza. Remote mounting only.
Colour Temperature	Red, Green, Blue, White (3000K)
Beam Angle	Narrow, Medium, Wide

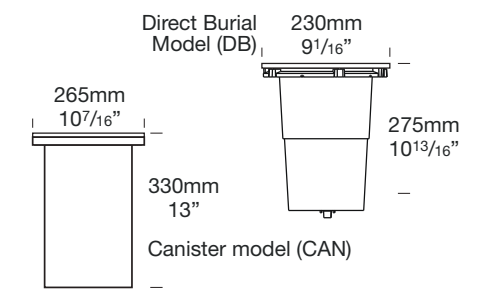
Physical Properties

Materials	Solid Bronze or 316 Stainless Steel flange
Ingress Protection	IP66/IP67
Standards	Non-UL

ST150/U



ST150 RGBW GIMBAL



ARCH Bollard Round BOL/ARCR ARCH Bollard Square BOL/ARCSQ

CATEGORY

Architectural Ultra Range

DESCRIPTION

The Arch Bollard is designed for commercial applications with a minimalist, contemporary aesthetic that will blend into any architectural setting. This luminaire features a street lighting optic that casts a very long but narrow downwards illumination. The result is an extremely low glare light fitting with precise light placement.

ARCH (per head)

LED Chip	Cree CXA 1830 Plug-and-Play, field replaceable COB LED
Luminaire Output*	3000 @ 700mA
Lumens Per Watt	115 minimum
CRI Warm White (3000K)	85+, 90+(optional)
Colour Temperature	2700K, 3000K or 4000K
Beam Angle	Asymmetrical

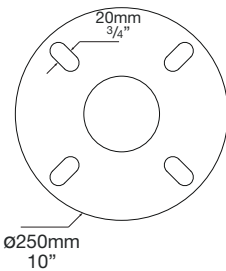
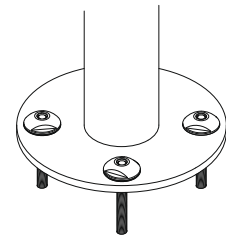
* Actual delivered output from a luminaire with unobstructed beam

Physical Properties

Materials	Solid Tri-layer Powdercoated Aluminium
Ingress Protection	IP66
Standards	UL 1598

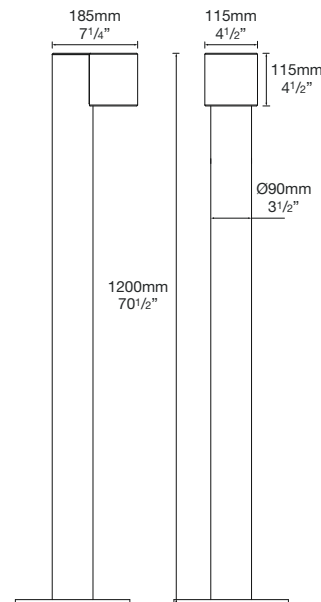
Power Supply

Remote (Series) Driver, Retro 110/240 volt driver



FLANGE MOUNT OPTION

BOL/ARCR



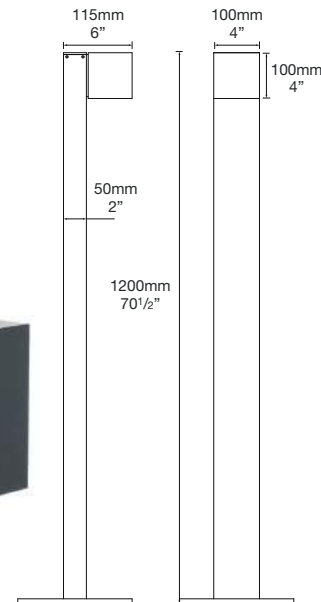
BOL/ARCR



BOL/ARCSQ



BOL/ARCSQ



Ultra Accessories

Ultra Glare Guard GG/U

DESCRIPTION



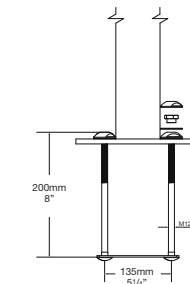
The Ultra Glare Guard is a modular accessory mounted directly to the body of the fixture. This accessory is used to protect the eye from direct glare from the LED and to provide an adjustable shield to direct light away from passers-by. Suitable for all fixtures in the Ultra range except ST150 Ultra and Bollard Ultra.

Mounting Cage MOUNTCAGE

DESCRIPTION



The Mounting Cage is a 316 stainless steel cage designed to be cast into concrete to firmly secure Ultra and Arch flange mounted fixtures in the ground, including the Bollard Ultra & Arch, Pole Spot Ultra and Flood Lite Ultra. The cage consists of a set of anchor bolts and nuts designed to be used with the Ultra and Arch flanges. Once the bolts are set in place, the flange is then fitted over the bolt threads and secured with Hunza's custom designed non-trip dome nuts.



Ultra Glare Shield GS/U

DESCRIPTION



The Glare Shield is a modular accessory that sits directly under the lens of the fixture. This accessory has the same function as the Glare Guard: to protect the eye from direct glare from the LED and to provide an adjustable shield to direct light away from passers-by. Suitable for all Wall Mounted fixtures and ST150 in the Ultra range. There is also a vericon available for the ST50 High Power.

Ultra Accessories

Ultra Pole Clamp ^{PC/U}



DESCRIPTION

The Ultra Pole Clamp is a modular accessory that allows an Ultra Spot adjustable head to be clamped to existing poles. Machined from solid aluminium with a Tri-Layer powdercoated finish and supplied with stainless steel fixing bolts. The fixture can be specified with varying lengths of cable for convenient mounting of the driver in the base of the pole. These are custom made to fit your required pole diameter.

Ultra Pole Spigot ^{SP/U}



DESCRIPTION

The Ultra Pole Spigot (tenon) is a modular accessory that allows an Ultra Pole Spot to be securely fitted on top of existing poles and it can be specified to suit various pole diameters. Machined from solid aluminium with a Tri-Layer powdercoated finish and supplied with stainless steel fixing screws. These are custom made to fit your required pole diameter.

Ultra Hex Cell Louvre ^{HCL/U}



DESCRIPTION

The Ultra Hex Cell Louvre is a modular accessory that sits inside the luminaire, on top of the reflector. This accessory is used to protect the eye from the sideways glare emitted from the light source. Suitable for all fittings in the Ultra range, except for Bollard Ultra.

Ultra Asymmetric Reflector ^{AS/U}



DESCRIPTION

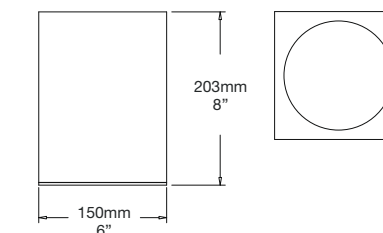
The Ultra Asymmetric Reflector is a modular accessory that sits inside the luminaire in place of the standard reflector. This accessory is used to focus the light precisely where needed, e.g. wall washing. This accessory is supplied with the Ultra Glare Shield as standard. Suitable for ST150 Ultra only.

Square Shroud ^{SHROUDSQ/U}



DESCRIPTION

The Square Shroud Ultra is designed to convert the body profile of the Ceiling Mount Ultra from round to square, for installations where a square fixture is required. The Shroud is simply fitted over the Ceiling Mount Ultra fixture and secured to a bracket on the base.



Ultra Accessories

Ground & Deck



Versatile, durable, low-level fixtures that blend perfectly into the landscape or deck.

Mini Bollard BOLMINI

CATEGORY

Ground and Deck

DESCRIPTION

Unobtrusive and low profile luminaire that provides soft lighting effects on decks, railings and posts. It is not suited for ground installation.

PURE LED (per head)

LED Chip	Cree XPG-3 Plug and Play, field replaceable LED boards
Luminaire Output*	120 lumens @ 700mA
Lumens Per Watt	60 lumens minimum
CRI Warm White (3000K)	85+, 90+(optional)
Colour Temperature	2700K, 3000K and 4000K, Red, Green, Blue, Amber
Beam Angle	360 degrees

* Actual delivered output from a luminaire with unobstructed beam

Physical Properties

Materials	Solid Powdercoated Aluminium, Copper or 316 Stainless Steel
Ingress Protection	IP66
Standards	AS/NZS 61046, UL 1838, 2108

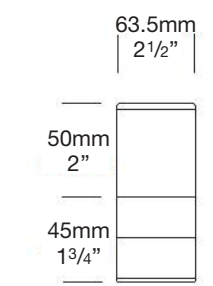
Power Supply Options

Remote (Series) Driver

Alternative Light Sources

G4 bi-pin 5, 10 or 20 watt, Promus G4JC LED

BOLMINI



Fern Lite^{FN}

CATEGORY

Ground and Deck

DESCRIPTION

The Fern Lite is an unobtrusive, low-level luminaire, which provides a soft lighting effect on ground level foliage. Light is emitted on a horizontal plane through an anti-glare mesh.

PURE LED (per head)

LED Chip	Cree MTG-2 Plug and Play, field replaceable LED boards
LED Output	510 lumens @ 1050mA
Lumens Per Watt	85 lumens @ 6 watts
CRI Warm White (3000K)	85+, 90+(optional)
Colour Temperature	2700K, 3000K and 4000K
Beam Angle	360

Physical Properties

Materials	Solid Copper or 316 Stainless Steel, Powdercoated Aluminium
Ingress Protection	IP66
Standards	AS/NZS 61046, UL 1838, 2108

Power Supply Options

Remote (Series) Driver, Integral 12 VAC driver with transformer, Integral 9 - 36 VDC driver

Alternative Light Sources

G4 bi-pin 5, 10 or 20 watt, Promus G4JCLEd

FN



Euro Spot^{ES} Euro Spike Spot^{ESS} Euro Twin Bar Lite^{ETBL}

CATEGORY

Ground and Deck

DESCRIPTION

Extra compact luminaires designed for situations where the fixture needs to be very unobtrusive or concealed.

PURE LED (per head)

LED Chip	Cree MTG-2 Plug and Play, field replaceable LED boards
Luminaire Output*	420 lumens @ 700mA
Lumens Per Watt	105 lumens @ 4 watts
CRI Warm White (3000K)	85+, 90+(optional)
Colour Temperature	2700K, 3000K and 4000K
Beam Angle	15, 25, 38, 60

* Actual delivered output from a luminaire with unobstructed beam

Physical Properties

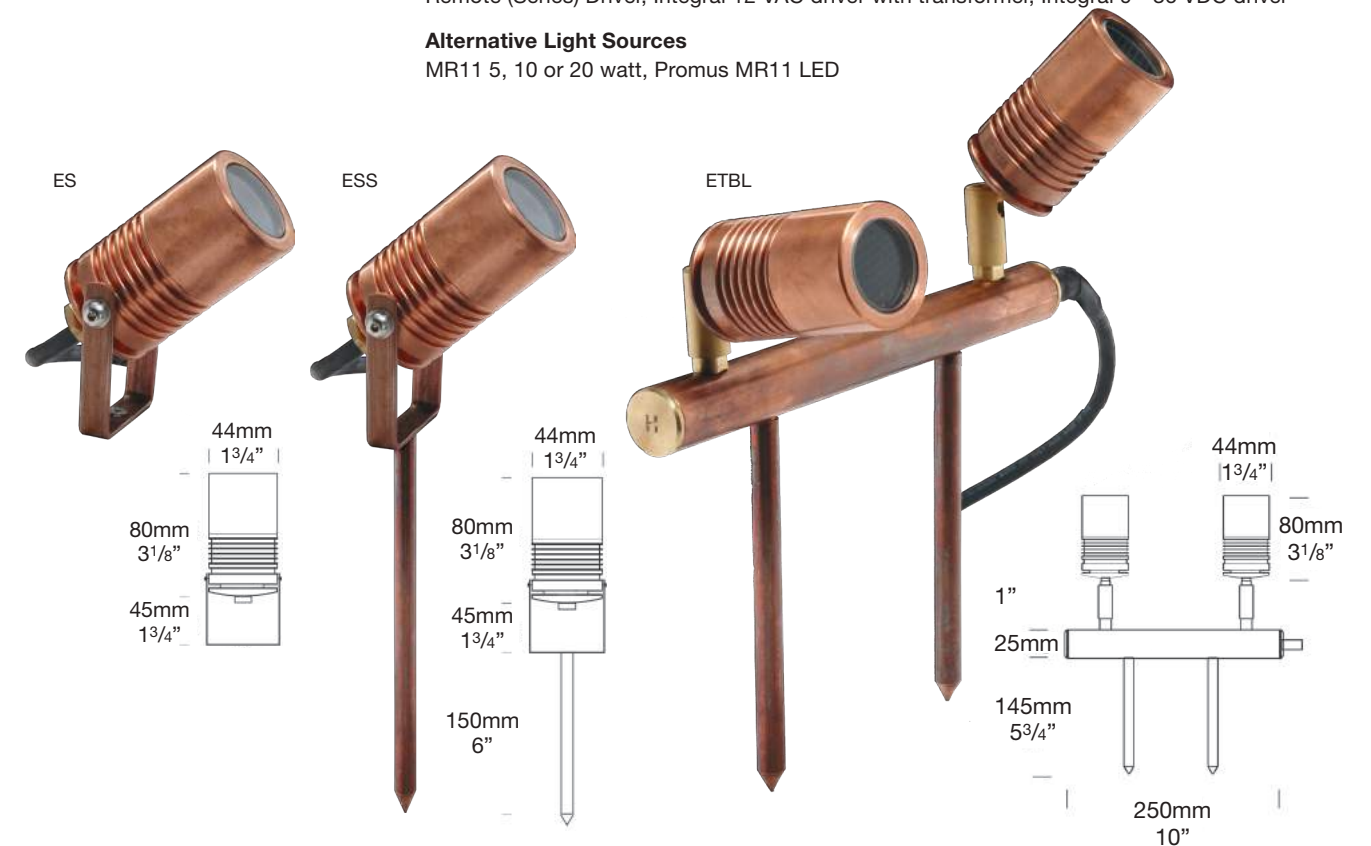
Materials	Solid Copper or 316 Stainless Steel
Ingress Protection	IP66
Standards	AS/NZS 61046, UL 1838, 2108

Power Supply Options

Remote (Series) Driver, Integral 12 VAC driver with transformer, Integral 9 - 36 VDC driver

Alternative Light Sources

MR11 5, 10 or 20 watt, Promus MR11 LED



NPS Spot ^{NPS}

CATEGORY

Ground and Deck

DESCRIPTION

Ideal for illuminating bushes and trees from ground level or moon lighting from a tree using Hunza's Tree Mount Kit (available for NPS Spot only). Each spot is fully adjustable allowing 360 degree rotation and 0-90 degree elevation. Can be supplied with Locking Knuckle.

PURE LED (per head)

LED Chip	Cree MTG-2 Plug and Play, field replaceable LED boards
Luminaire Output*	600 lumens @ 1050mA
Lumens Per Watt	100 lumens @ 6 watts
CRI Warm White (3000K)	85+, 90+(optional)
Colour Temperature	2700K, 3000K and 4000K
Beam Angle	15, 25, 38, 60

* Actual delivered output from a luminaire with unobstructed beam

Physical Properties

Materials	Solid Powdercoated Aluminium, Copper or 316 Stainless Steel
Ingress Protection	IP66/IP67
Standards	AS/NZS 61046, UL 1838, 2108

Power Supply Options

Remote (Series) Driver, Integral 12 VAC driver with transformer, Integral 9 - 36 VDC driver

Alternative Light Sources

MR16 20 or 35 watt, Promus MR16 LED, Promus GU10 LED



Spike Spot ^{SS} Spike Spot Adjustable ^{SS/A} Twin Bar Lite ^{TBL}

CATEGORY

Ground and Deck

DESCRIPTION

The Spike Spot is designed for easy insertion into the earth and can be used to illuminate a bush, tree or any landscape feature. The adjustable version allows 360 degree rotation and 0-90 degree elevation. Can be supplied with Locking Knuckle.

PURE LED (per head)

LED Chip	Cree MTG-2 Plug and Play, field replaceable LED boards
Luminaire Output*	600 lumens @ 1050mA
Lumens Per Watt	100 lumens @ 6 watts
CRI Warm White (3000K)	85+, 90+(optional)
Colour Temperature	2700K, 3000K and 4000K
Beam Angle	15, 25, 38, 60

* Actual delivered output from a luminaire with unobstructed beam

Physical Properties

Materials	Solid Powdercoated Aluminium, Copper or 316 Stainless Steel
Ingress Protection	IP66/IP67
Standards	AS/NZS 61046, UL 1838, 2108

Power Supply Options

Remote (Series) Driver, Integral 12 VAC driver with transformer, Integral 9 - 36 VDC driver

Alternative Light Sources

MR16 20 or 35 watt, Promus MR16 LED, Promus GU10 LED



Spike Spot High Power SS/HP/R SS/HP/S

CATEGORY

Ground and Deck

DESCRIPTION

The Spike Spot High Power LED luminaire has been designed for an easy installation into the earth and is ideal for illuminating larger bushes, trees or any landscape features. The fully adjustable head allows 360 degree rotation and 0-90 degree elevation. Supplied with Locking Knuckle.

PURE LED (per head)

LED Chip	Cree MTG-2 Plug and Play, field replaceable LED boards
Luminaire Output*	1000 lumens @ 2000mA
Lumens Per Watt	83 lumens @ 12 watts
CRI Warm White (3000K)	85+, 90+(optional)
Colour Temperature	2700K, 3000K and 4000K
Beam Angle	15, 25, 38, 60

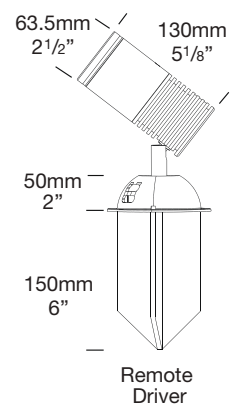
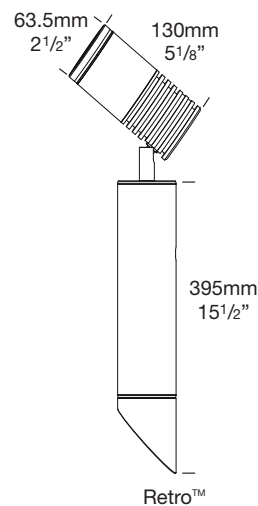
* Actual delivered output from a luminaire with unobstructed beam

Physical Properties

Materials	Solid Powdercoated Aluminium
Ingress Protection	IP56/IP66
Standards	AS/NZS 61046, UL 1598, 2108

Power Supply Options

Remote (Series) Driver, Retro 110/240 volt driver



Pole Mounted

For situations where the light source needs to be elevated above the ground, Hunza offers a variety of durable luminaires that incorporate a pole in the design for higher level illumination.

Euro Single Pole ^{ESPL} Euro Twin Pole ^{ETPL}

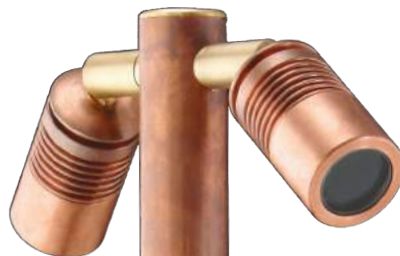
CATEGORY

Pole Mounted

ESPL



ETPL



DESCRIPTION

The Euro Pole Lites are extra-compact luminaires designed for situations where the fixture needs to be unobtrusive or concealed. They can be mounted in a variety of outdoor situations. Can be supplied with Locking Knuckle.

PURE LED (per head)

LED Chip	Cree MTG-2 Plug and Play, field replaceable LED boards
Luminaire Output*	420 lumens @ 700mA
Lumens Per Watt	105 lumens @ 4 watts
CRI Warm White (3000K)	85+, 90+(optional)
Colour Temperature	2700K, 3000K and 4000K
Beam Angle	15, 25, 38, 60

* Actual delivered output from a luminaire with unobstructed beam

Physical Properties

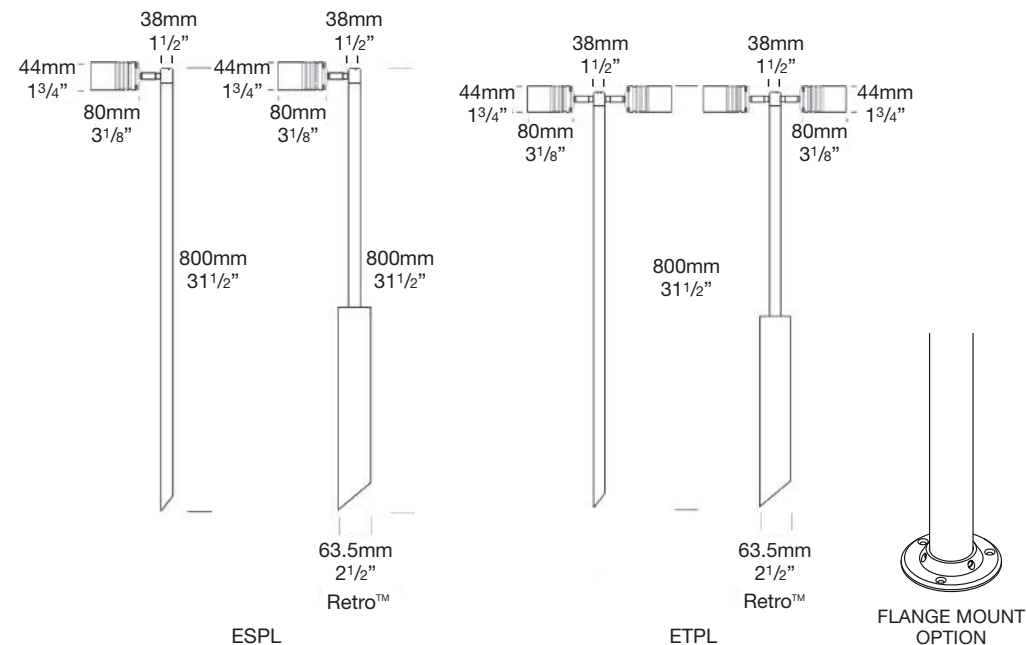
Materials	Solid Copper or 316 Stainless Steel
Ingress Protection	IP56/IP66/IP67
Standards	AS/NZS 61046, UL 1838, 2108

Power Supply Options

Remote (Series) Driver, Integral 12 VAC driver with transformer, Integral 9-36 VDC Driver, Retro 110/240 volt driver

Alternative Light Sources

MR11 5, 10 or 20 watt, Promus MR11 LED



Twig Lite ^{TG} Walkway Lite ^{WW}

CATEGORY

Pole Mounted

WW



TG



DESCRIPTION

These Hunza luminaires have a subtle, unobtrusive appearance that allows them to blend into a landscape or taller foliage while providing soft, effective landscape and path illumination.

PURE LED (per head)

LED Chip	Cree XPG-3 Plug and Play, field replaceable LED boards
LED Output	120 lumens @ 700mA
Lumens Per Watt	60 lumens minimum
CRI Warm White (3000K)	85+, 90+(optional)
Colour Temperature	2700K, 3000K and 4000K, Red, Green, Blue, Amber

Physical Properties

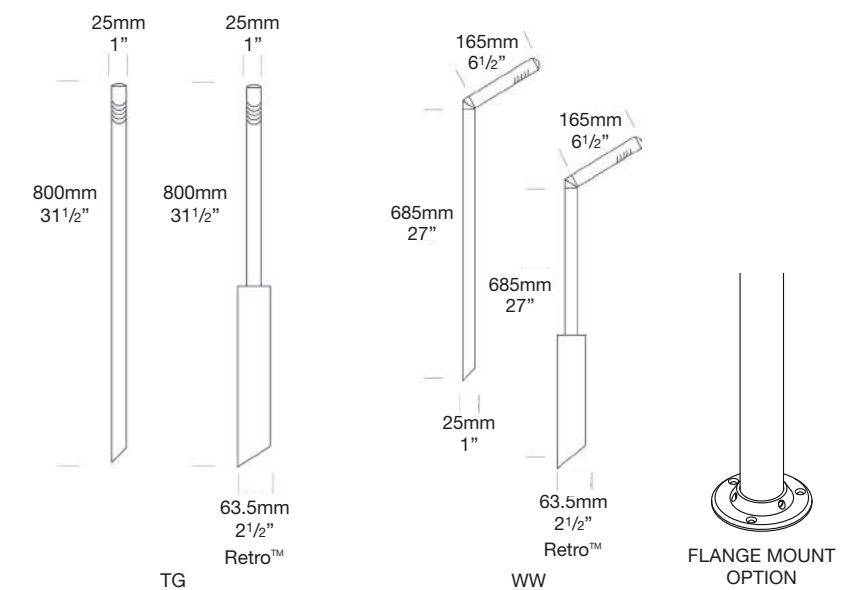
Materials	Solid Copper or 316 Stainless Steel
Ingress Protection	IP44
Standards	AS/NZS 61046, UL 1838, 2108

Power Supply Options

Remote (Series) Driver, Integral 12 VAC driver with transformer, Integral 9-36 VDC Driver, Retro 110/240 volt driver

Alternative Light Sources

G4 bi-pin 5, 10 or 20 watt, Promus G4JCLEd



Border Lite ^{BL} Twin Border Lite ^{BLT}

CATEGORY

Pole Mounted



DESCRIPTION

These lights are ideal for path lighting, giving a wide spread of light with no upward projection. The fully adjustable arm(s) allow(s) 360 degree rotation and 0-90 degree elevation. Each luminaire is supplied with frosted glass lens to reduce glare. Can be supplied with Locking Knuckle.

PURE LED (per head)

LED Chip	Cree XPG-3 Plug and Play, field replaceable LED boards
LED Output	120 lumens @ 700mA
Lumens Per Watt	60 lumens minimum
CRI Warm White (3000K)	85+, 90+(optional)
Colour Temperature	2700K, 3000K and 4000K, Red, Green, Blue, Amber

Physical Properties

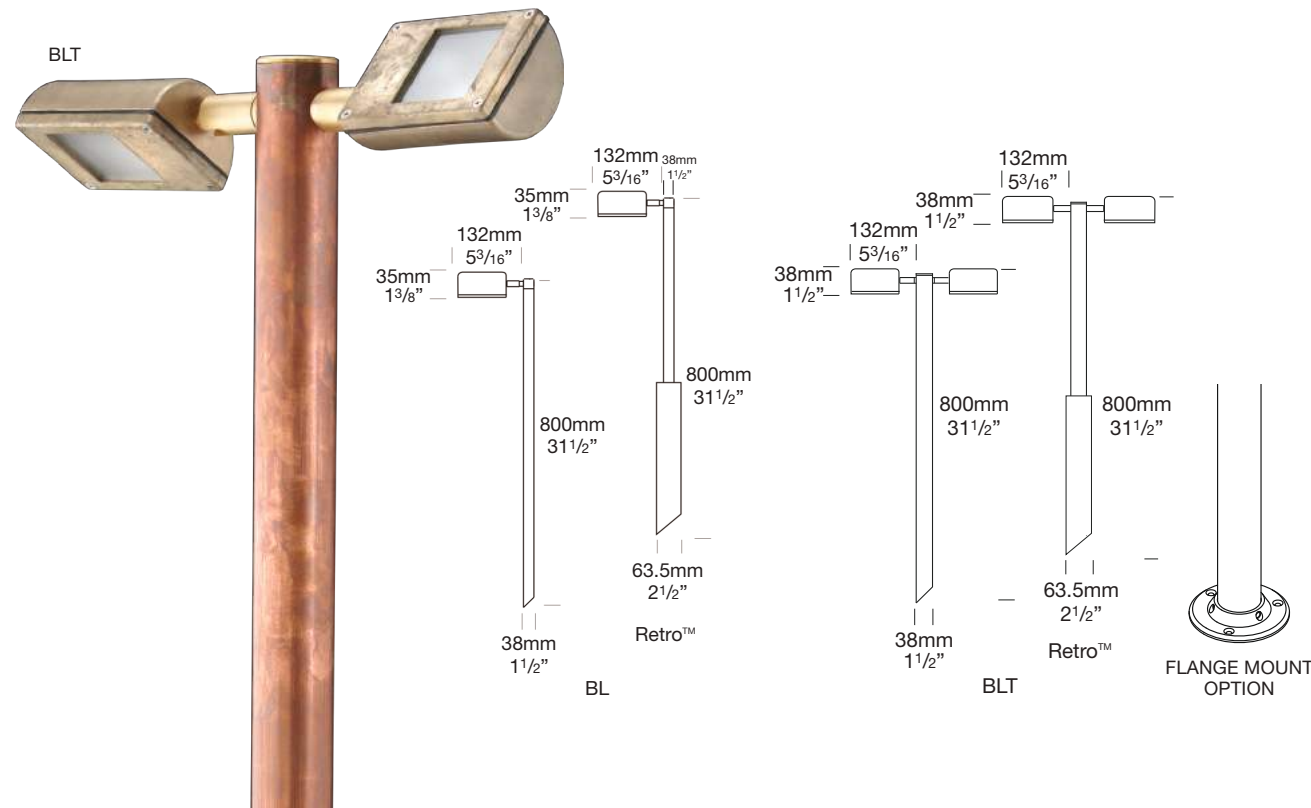
Materials	Solid Powdercoated Aluminium, Bronze/Copper or 316 Stainless Steel
Ingress Protection	IP56/IP66/IP67
Standards	AS/NZS 61046, UL 1838, 2108

Power Supply Options

Remote (Series) Driver, Integral 12 VAC driver with transformer, Integral 9-36 VDC Driver, Retro 110/240 volt driver

Alternative Light Sources

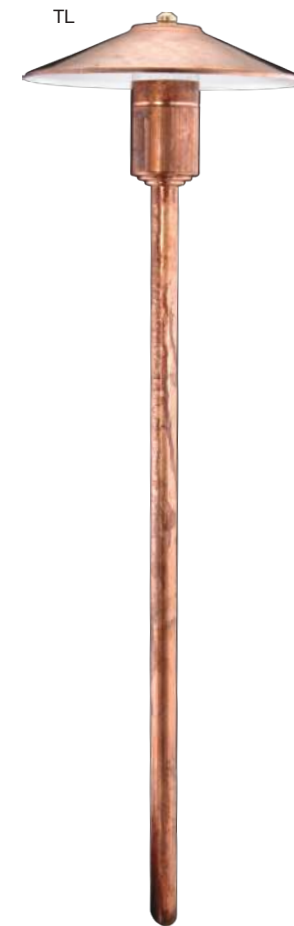
G4 bi-pin 5, 10 or 20 watt, Promus G4JCLED



Tier Lite ^{TL}

CATEGORY

Pole Mounted



DESCRIPTION

The Tier Lite is designed for illuminating medium level foliage. It provides 360 degree illumination on a horizontal plane and does not project any vertical light.

PURE LED (per head)

LED Chip	Cree MTG-2 Plug and Play, field replaceable LED boards
LED Output	510 lumens @ 1050mA
Lumens Per Watt	85 lumens @ 6 watts
CRI Warm White (3000K)	85+, 90+(optional)
Colour Temperature	2700K, 3000K and 4000K
Beam Angle	360 degrees

Physical Properties

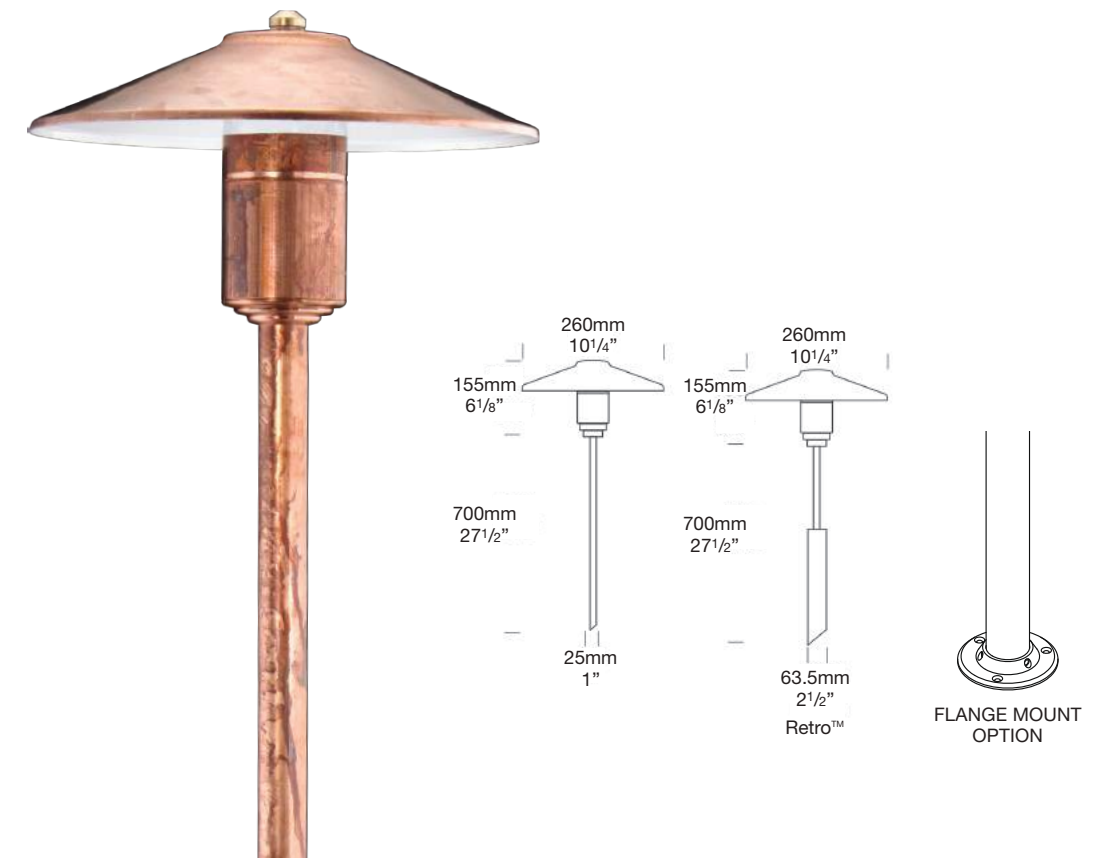
Materials	Solid Powdercoated Aluminium, Copper or 316 Stainless Steel
Ingress Protection	IP56/IP66/IP67
Standards	AS/NZS 61046, UL 1838, 2108

Power Supply Options

Remote (Series) Driver, Integral 12 VAC driver with transformer, Integral 9-36 VDC Driver, Retro 110/240 volt driver

Alternative Light Sources

G4 bi-pin 5, 10 or 20 watt, Promus G4JCLED



Pole Spot ^{PS} Single Pole ^{SPL} Twin Pole Lite ^{TPL}

CATEGORY

Pole Mounted

DESCRIPTION

The Hunza Pole fittings are ideal for path and higher level illumination. The fully adjustable head(s) on each fitting allow(s) 360 degree rotation and 0-90 degree elevation. Can be supplied with Locking Knuckle.

PURE LED (per head)

LED Chip	Cree MTG-2 Plug and Play, field replaceable LED boards
Luminaire Output*	600 lumens @ 1050mA
Lumens Per Watt	100 lumens @ 6 watts
CRI Warm White (3000K)	85+, 90+(optional)
Colour Temperature	2700K, 3000K and 4000K
Beam Angle	15, 25, 38, 60

* Actual delivered output from a luminaire with unobstructed beam

Physical Properties

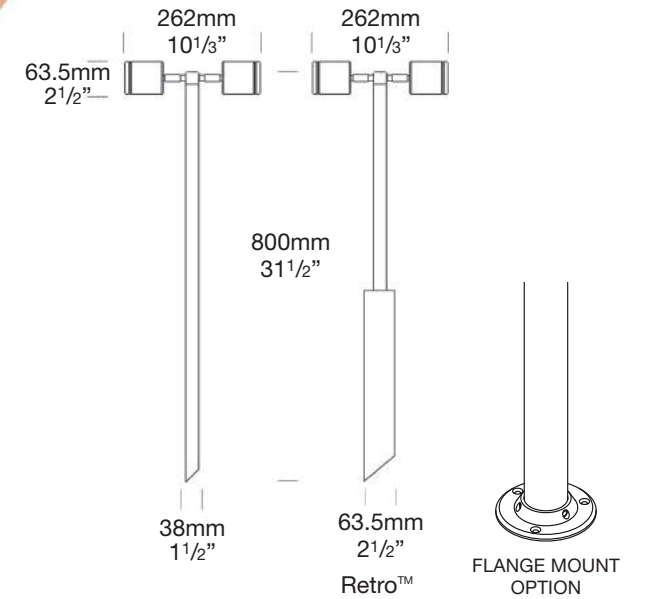
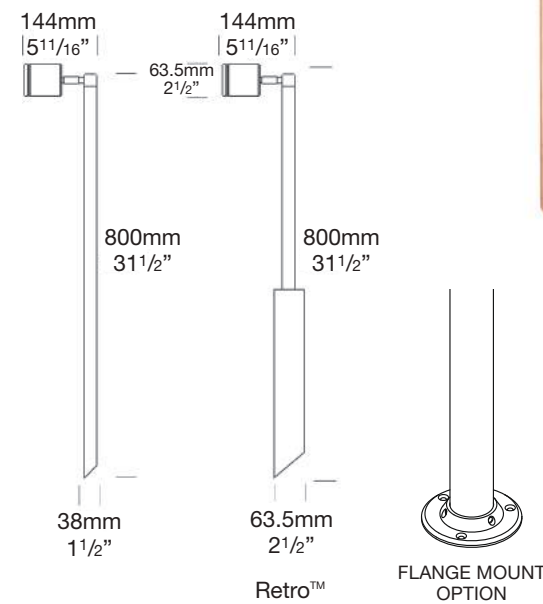
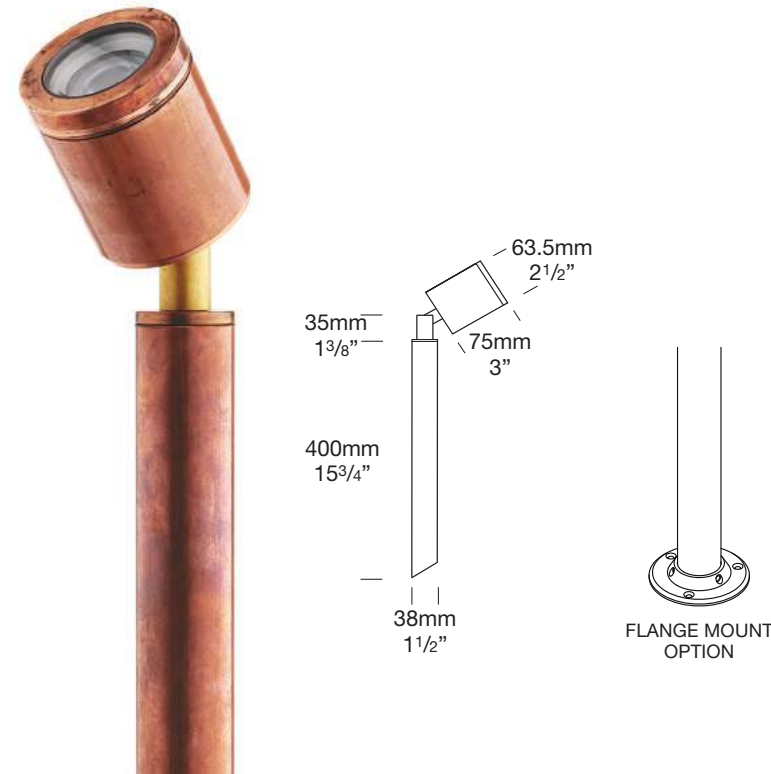
Materials	Solid Powdercoated Aluminium, Copper or 316 Stainless Steel
Ingress Protection	IP56/IP66/IP67
Standards	AS/NZS 61046, UL 1838, 2108

Power Supply Options

Remote (Series) Driver, Integral 12 VAC driver with transformer, Integral 9-36 VDC Driver, Retro 110/240 volt driver

Alternative Light Sources

MR16 20 or 35 watt, Promus MR16 LED, Promus GU10 LED



Bollard 300 BOL300

Bollard 700 BOL700

CATEGORY

Pole Mounted

DESCRIPTION

The Hunza Bollard is ideal for garden edges, driveways and walkways etc. The lens reflects light at two angles, horizontally and directly onto the ground to illuminate surrounding landscape.

PURE LED (per head)

LED Chip	Cree MTG-2 Plug and Play, field replaceable LED boards
LED Output	510 lumens @ 1050mA
Lumens Per Watt	85 lumens @ 6 watts
CRI Warm White (3000K)	85+, 90+(optional)
Colour Temperature	2700K, 3000K and 4000K
Beam Angle	360 degrees

Physical Properties

Materials	Solid Powdercoated Aluminium, Copper or 316 Stainless Steel
Ingress Protection	IP56/IP66/IP67
Standards	AS/NZS 61046, UL 1838, 2108

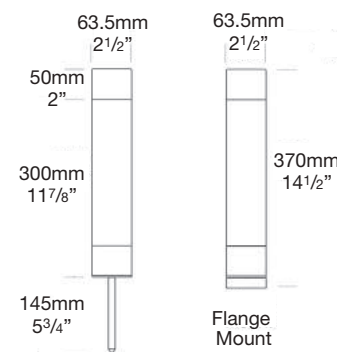
Power Supply Options

Remote (Series) Driver, Integral 12 VAC driver with transformer, Integral 9-36 VDC Driver, Retro 110/240 volt driver

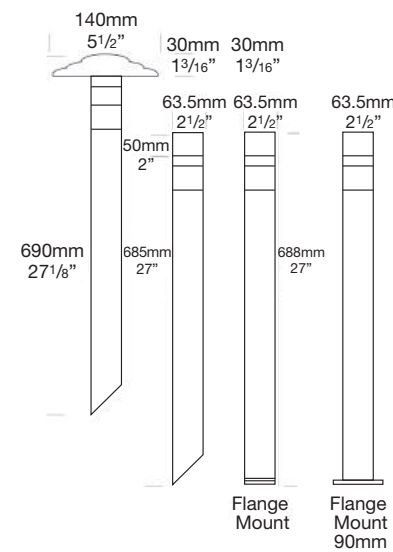
Alternative Light Sources

MR16 20 or 35 watt, Promus MR16 LED, Promus GU10 LED

BOL300



BOL700



Please note:
Custom pole lengths for all flange mount options may require custom flanges.

Cube Bollard Quartz CBOLQZ

Cube Bollard Cloak CBOLCLX*

CATEGORY

Pole Mounted

DESCRIPTION

The Cube Bollard is ideal for illuminating walkways and pathways. With its sleek, simple yet bold appearance, these bollards will greatly enhance your outdoor space with a distinctive modern flair.

PURE LED (per head)

LED Chip	Cree XPG-3 Plug and Play, field replaceable LED boards
LED Output	120 lumens @ 1050mA – 4 Cloak Window Version 200 lumens @ 1050mA – Quartz Version
CRI Warm White (3000K)	85+, 90+(optional)
Colour Temperature	2700K, 3000K and 4000K, Red, Green, Blue, Amber

Physical Properties

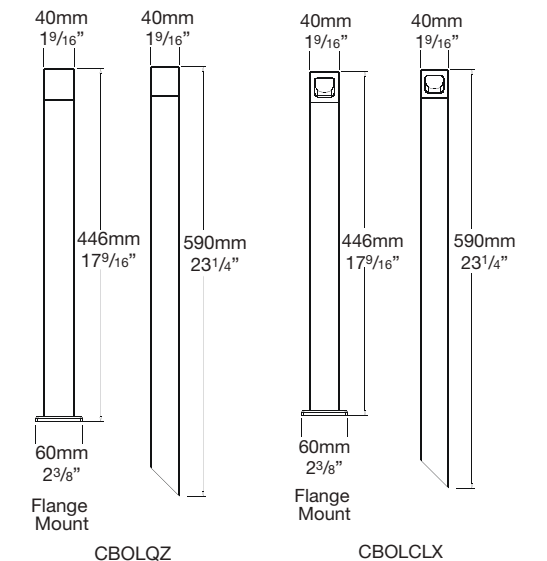
Materials	Solid Powdercoated Aluminium
Ingress Protection	IP66/IP67
Standards	UL 1838, 2108

Power Supply Options

Remote (Series) Driver, Integral 12 VAC driver with transformer, Integral 9-36 VDC Driver



CBOLCLX



Cube Pole Spot ^{CPS}

CATEGORY

Pole Mounted

DESCRIPTION

The Cube Pole Spot is ideal for path lighting or tree lighting. These innovative fittings have an adjustable head that tilts through 180 degrees and feature the cube simple yet bold design flair.

PURE LED (per head)

LED Chip	Cree XPG-3 Plug and Play, field replaceable LED boards
Luminaire Output*	200 lumens @ 1050mA
CRI Warm White (3000K)	85+, 90+(optional)
Colour Temperature	2700K, 3000K and 4000K, Red, Green, Blue, Amber
Beam Angle	15, 25, 45

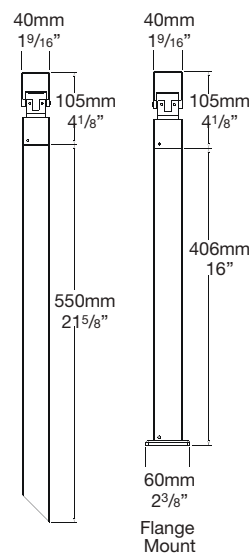
* Actual delivered output from a luminaire with unobstructed beam

Physical Properties

Materials	Solid Powdercoated Aluminium
Ingress Protection	IP66/IP67
Standards	UL 1838, 2108

Power Supply Options

Remote (Series) Driver, Integral 12 VAC driver with transformer, Integral 9-36 VDC Driver



Recessed & Inground

These luminaires are an excellent source of upward illumination with very low profile and minimal visibility during the day.

Floor Lite ^{FLSP}
Floor Lite Louvre ^{FLLU}
Floor Lite Square ^{FLSPSQ}
Floor Lite Louvre Square ^{FLLUSQ}

CATEGORY

Recessed & Inground

DESCRIPTION

The Hunza Floor Lite has an 88mm (3½”) flange which has an extremely low profile and can be walked upon without getting damaged.

PURE LED (per head)

LED Chip	Cree MTG-2 Plug and Play, field replaceable LED boards
Luminaire Output*	600 lumens @ 1050mA
Lumens Per Watt	100 lumens @ 6 watts
CRI Warm White (3000K)	85+, 90+(optional)
Colour Temperature	2700K, 3000K and 4000K
Beam Angle	15, 25, 38, 60

* Actual delivered output from a luminaire with unobstructed beam

Physical Properties

Materials	Solid Copper or 316 Stainless Steel
Ingress Protection	IP67
Standards	AS/NZS 61046, UL 1838, 2108

Power Supply Options

Remote (Series) Driver, Integral 12 VAC driver with transformer, Integral 9-36 VDC Driver

Alternative Light Sources

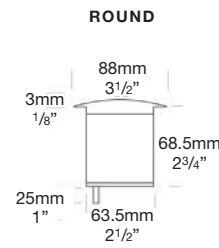
MR16 20 watt, Promus MR16 LED, Promus GU10 LED



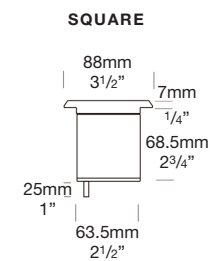
FLSPSQ



FLLU



FLLUSQ



Flush Floor Lite ^{FFL}
Flush Floor Lite Square ^{FFLSQ}

CATEGORY

Recessed & Inground

DESCRIPTION

The Flush Floor Lite has been designed to mount flush with the level of a pathway, hotel floor or a building foyer. The flush fit lens stops water pooling and depositing dirt on the lens. There is no lip to trip over and the luminaire can be driven over or walked upon without being damaged.

PURE LED (per head)

LED Chip	Cree MTG-2 Plug and Play, field replaceable LED boards
Luminaire Output*	600 lumens @ 1050mA
Lumens Per Watt	100 lumens @ 6 watts
CRI Warm White (3000K)	85+, 90+(optional)
Colour Temperature	2700K, 3000K and 4000K
Beam Angle	15, 25, 38, 60

* Actual delivered output from a luminaire with unobstructed beam

Physical Properties

Materials	316 Stainless Steel, Copper (round only)
Ingress Protection	IP66
Standards	AS/NZS 61046, UL 1838, 2108

Power Supply Options

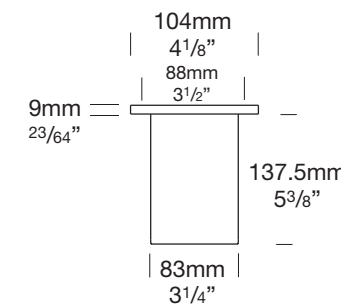
Remote (Series) Driver, Integral 12 VAC driver with transformer, Integral 9-36 VDC Driver

Alternative Light Sources

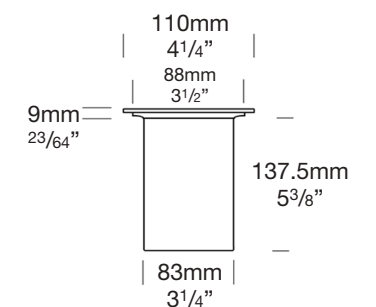
MR16 20 watt, Promus MR16 LED, Promus GU10 LED



FFL



FFLSQ



Floor Lite Dark Lighter ^{FLDK} Floor Lite Dark Lighter Square ^{FLDKSQ}

CATEGORY

Recessed & Inground

DESCRIPTION

The Floor Light Dark Lighters are compact up-lighters with minimal glare. The glare control has been further enhanced by the inclusion of a hex cell louvre and matt black interior.

PURE LED (per head)

LED Chip	Cree MTG-2 Plug and Play, field replaceable LED boards
Luminaire Output*	600 lumens @ 1050mA
Lumens Per Watt	100 lumens @ 6 watts
CRI Warm White (3000K)	85+, 90+(optional)
Colour Temperature	2700K, 3000K and 4000K
Beam Angle	15, 25, 38, 60

* Actual delivered output from a luminaire with unobstructed beam

Physical Properties

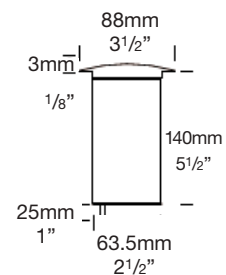
Materials	Solid Copper or 316 Stainless Steel
Ingress Protection	IP66
Standards	AS/NZS 61046, UL 1838, 2108

Power Supply Options

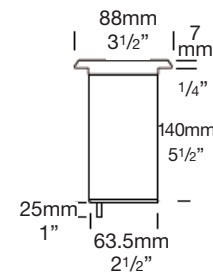
Remote (Series) Driver, Integral 12 VAC driver with transformer, Integral 9-36 VDC Driver

Alternative Light Sources

MR16 20 watt, Promus MR16 LED, Promus GU10 LED



FLDKSQ



Path Lite ^{PL}

CATEGORY

Recessed & Inground

DESCRIPTION

The Path Lite is designed for lighting flat areas, decks, paved courtyards or edge lighting paths. It has a low profile and directs light horizontally through a frosted glass lens to reduce glare. Please check canister mounting options in accessories section.

PURE LED MTG2 (per head)

LED Chip	Cree MTG-2 Plug and Play, field replaceable LED boards
LED Output	600 lumens @ 1050mA
Lumens Per Watt	100 lumens @ 6 watts
CRI Warm White (3000K)	85+, 90+(optional)
Colour Temperature	2700K, 3000K and 4000K

Physical Properties

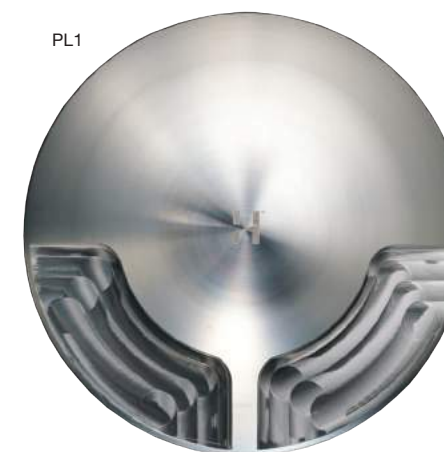
Materials	Copper or 316 Stainless Steel
Ingress Protection	IP66
Standards	AS/NZS 61046, UL 1838, 2108

Power Supply Options

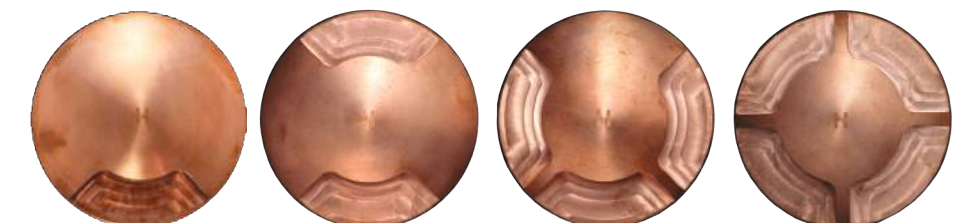
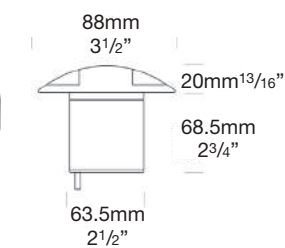
Remote (Series) Driver, Integral 12 VAC driver with transformer, Integral 9-36 VDC Driver

Alternative Light Sources

MR16 20 watt, Promus MR16 LED, Promus GU10 LED



PL1



PL90

PL2

PL3

PL4

Path Lite Surface Mount PLSM

CATEGORY

Recessed & Inground

DESCRIPTION

The surface mount Path Lite is ideal for lighting flat areas where a recessed fitting is not suitable. It is especially suited to decks, paved courtyards, and edge lighting paths.

PURE LED XPG-3 (per head)

LED Chip	Cree XPG-3 Plug and Play, field replaceable LED boards
LED Output	120 lumens @ 700mA
Lumens Per Watt	60 lumens minimum
CRI Warm White (3000K)	85+, 90+(optional)
Colour Temperature	2700K, 3000K and 4000K, Red, Green, Blue, Amber

Physical Properties

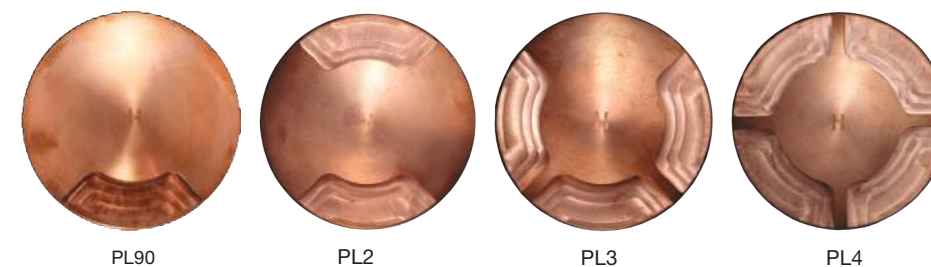
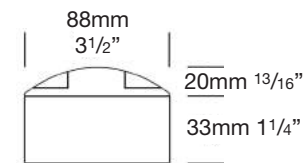
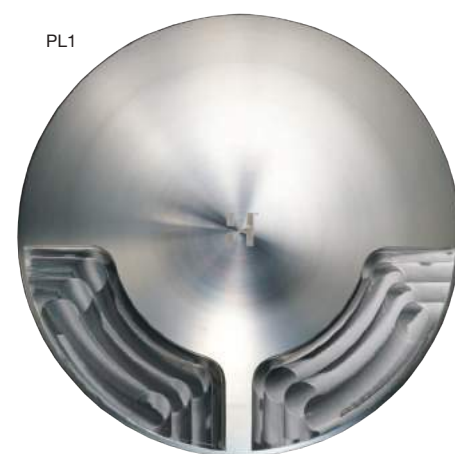
Materials	Copper or 316 Stainless Steel
Ingress Protection	IP67
Standards	AS/NZS 61046, UL 1838, 2108

Power Supply Options

Remote (Series) Driver, Integral 12 VAC driver with transformer, Integral 9-36 VDC Driver

Alternative Light Sources

G4 bi-pin 5, 10 or 20 watt, Promus G4JCLED



Lawn Lite LL Lawn Lite Deck Mount LLDMV

CATEGORY

Recessed & Inground

DESCRIPTION

This is an adjustable uplighter designed for insertion into a lawn garden bed or deck (deck mount version) and can be mowed over without risk of damage. The LED module has 0-20 degree tilt and 360 degree rotation.

PURE LED (per head)

LED Chip	Cree MTG-2 Plug and Play, field replaceable LED boards
Luminaire Output*	600 lumens @ 1050mA
Lumens Per Watt	100 lumens @ 6 watts
CRI Warm White (3000K)	85+, 90+(optional)
Colour Temperature	2700K, 3000K and 4000K
Beam Angle	15, 25, 38, 60

* Actual delivered output from a luminaire with unobstructed beam

Physical Properties

Materials	Solid Bronze or 316 Stainless Steel Flange, Solid Tri-layer Powdercoated Aluminium Flange (Lawn Lite only)
Ingress Protection	IP66/IP67
Standards	AS/NZS 61046, UL 1838, 2108

Power Supply Options

Remote (Series) Driver, Integral 12 VAC driver with transformer, 24 VDC INT Driver

Alternative Light Sources

MR16 20 or 35 watt, Promus MR16 LED



Driveway Lite ^{DWL}

CATEGORY

Recessed & Inground

DESCRIPTION

This is an adjustable uplighter designed for mounting flush to the surface of a driveway, pathway, hotel floors or building foyers. There is no lip to trip over and it can be driven over or walked upon without risk of damage. The LED module has 0-20 degree tilt and 360 degree rotation. The luminaire can be driven over or walked upon without being damaged.

PURE LED (per head)

LED Chip	Cree MTG-2 Plug and Play, field replaceable LED boards
Luminaire Output*	600 lumens @ 1050mA
Lumens Per Watt	100 lumens @ 6 watts
CRI Warm White (3000K)	85+, 90+(optional)
Colour Temperature	2700K, 3000K and 4000K
Beam Angle	15, 25, 38, 60

* Actual delivered output from a luminaire with unobstructed beam

Physical Properties

Materials	Solid Bronze or 316 Stainless Steel Flange
Ingress Protection	IP66/IP67
Standards	AS/NZS 61046, UL 1838, 2108

Power Supply Options

Remote (Series) Driver, Integral 12 VAC driver with transformer, Integral 9-36 VDC Driver

Alternative Light Sources

MR16 20 or 35 watt, Promus MR16 LED



ST 50 ^{ST50}

CATEGORY

Recessed & Inground

DESCRIPTION

The SafeTouch™ 50 LED inground luminaire has been specifically designed for uplighting with ultimate public safety as its primary objective. It produces high-output light, but operates with cool lens temperatures, low energy consumption and minimal maintenance. This luminaire is extremely tough, durable and waterproof and has a fully adjustable gimbal allowing 360 degree rotation and 0-20 degree elevation. The luminaire can be driven over or walked upon without being damaged.

HIGH POWER

LED Chip	Cree MTG-2 Plug and Play, field replaceable LED boards
Luminaire Output*	1000 lumens @ 2080mA
Lumens Per Watt	83 lumens @ 12 watts
CRI Warm White (3000K)	85+, 90+(optional)
Colour Temperature	2700K, 3000K and 4000K
Beam Angle	15, 25, 38, 60

* Actual delivered output from a luminaire with unobstructed beam

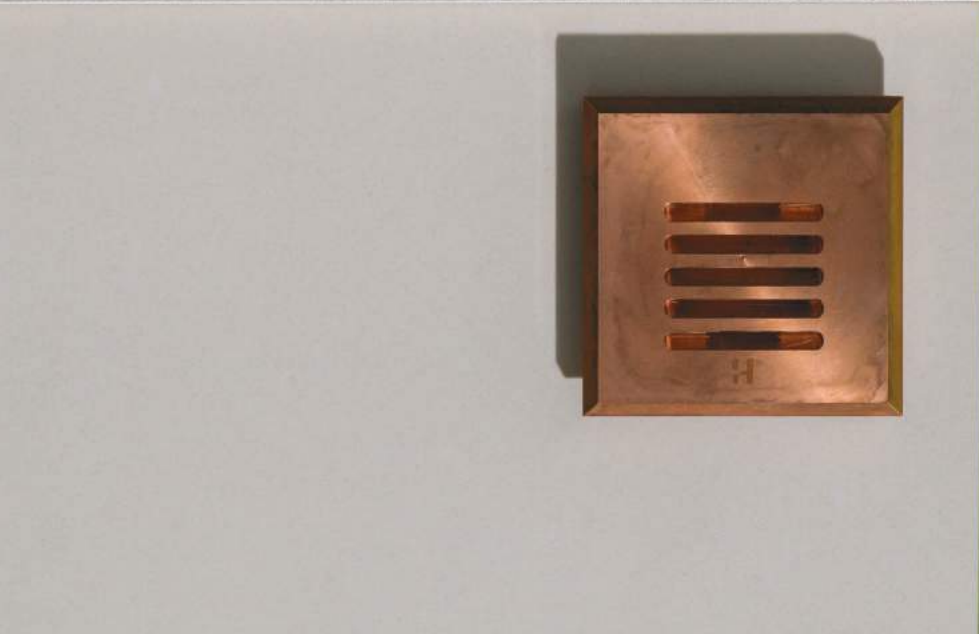
Physical Properties

Materials	Solid Bronze or 316 Stainless Steel Flange
Ingress Protection	IP67
Standards	AS/NZS 61046, UL 1598

Power Supply Options

Remote (Series) Driver, Retro 110/240 volt driver





Step
 These luminaires are recessed into steps and wall surfaces for step lighting, path lighting and driveway lighting.

Euro Step Lite ^{ESL}
Euro Step Lite Solid Eyelid ^{ESLS}

CATEGORY

Step

DESCRIPTION

These are extra compact luminaires designed for step lighting applications where the fixture needs to be very unobtrusive or concealed. The Eyelid version eliminates upward light. Please check canister mounting options in accessories section.

PURE LED (per head)

LED Chip	Cree MTG-2 Plug and Play, field replaceable LED boards
Luminaire Output*	420 lumens @ 700mA
Lumens Per Watt	105 lumens @ 4 watts
CRI Warm White (3000K)	85+, 90+(optional)
Colour Temperature	2700K, 3000K and 4000K
Beam Angle	15, 25, 38, 60

* Actual delivered output from a luminaire with unobstructed beam

Physical Properties

Materials	Solid Copper or 316 Stainless Steel
Ingress Protection	IP66
Standards	AS/NZS 61046, UL 1838, 2108

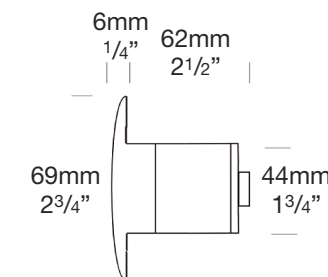
Power Supply Options

Remote (Series) Driver, Integral 12 VAC driver with transformer, Integral 9-36 VDC Driver

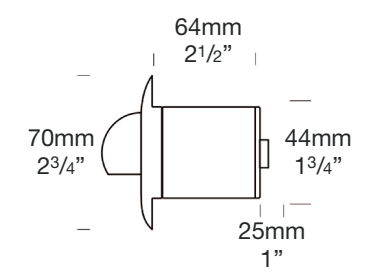
Alternative Light Sources

Alternative Light Sources: MR11 5, 10 or 20 watt, Promus MR11 LED

ESL



ESLS



Step Lite^{SL}
Step Lite Louvre^{SLLU}
Step Lite Square^{SLSQ}
Step Lite Louvre Square^{SLLUSQ}

CATEGORY

Step

DESCRIPTION

The Hunza Step Lites are designed with an 88mm (3½") flange and recessed body for flush mounting into masonry, stone or wood, providing illumination of steps and low level features. The 45 degree louvre model eliminates all upward light, providing an excellent glare-free illumination. Please check canister mounting options in accessories section.

PURE LED (per head)

LED Chip	Cree MTG-2 Plug and Play, field replaceable LED boards
Luminaire Output*	600 lumens @ 1050mA
Lumens Per Watt	100 lumens @ 6 watts
CRI Warm White (3000K)	85+, 90+(optional)
Colour Temperature	2700K, 3000K and 4000K
Beam Angle	15, 25, 38, 60

* Actual delivered output from a luminaire with unobstructed beam

Physical Properties

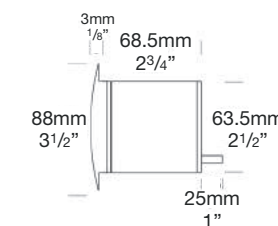
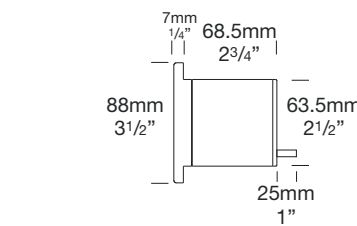
Materials	Solid Powdercoated Aluminium (SL and SLSQ only), Copper or 316 Stainless Steel
Ingress Protection	IP66
Standards	AS/NZS 61046, UL 1838, 2108

Power Supply Options

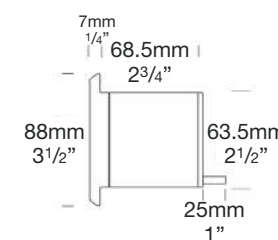
Remote (Series) Driver, Integral 12 VAC driver with transformer, Integral 9-36 VDC Driver

Alternative Light Sources

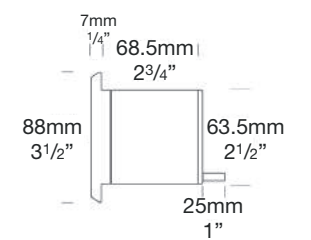
MR16 20 or 35 watt, GU10 25 watt, Promus MR16 LED, Promus GU10 LED



SLSQ



SLLUSQ



Step Lite Eyelid SLE
Step Lite Solid Eyelid SLS
Step Lite Solid Eyelid Square SLSSQ

CATEGORY

Step

DESCRIPTION

The Step Lite Eyelid and Step Lite Solid Eyelid are designed for recessed mounting into masonry, stone or wood, providing illumination of exterior steps, paths, paved areas. The eyelid feature eliminates all upward light, providing an excellent glare-free illuminating effect. Please check canister mounting options in accessories section.

PURE LED MTG2 (per head)

LED Chip	Cree MTG-2 Plug and Play, field replaceable LED boards
LED Output	600 lumens @ 1050mA
Lumens Per Watt	100 lumens @ 6 watts
CRI Warm White (3000K)	85+, 90+(optional)
Colour Temperature	2700K, 3000K and 4000K, Red, Green, Blue, Amber

Physical Properties

Materials	Solid Powdercoated Aluminium, Copper
Ingress Protection	IP66
Standards	AS/NZS 61046, UL 1838, 2108

Power Supply Options

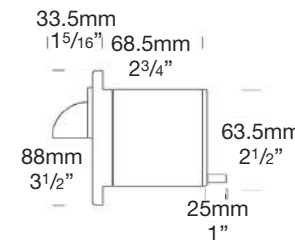
Remote (Series) Driver, Integral 12 VAC driver with transformer, Integral 9-36 VDC Driver

Alternative Light Sources

MR16 20 or 35 watt, GU10 25 watt, Promus MR16 LED, Promus GU10 LED



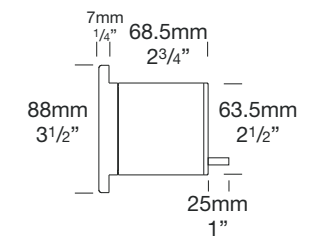
SLE



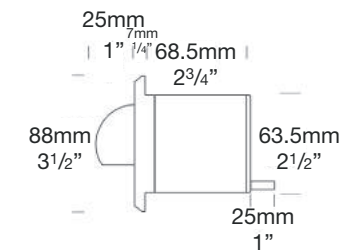
The Step Lite Solid Eyelid flange is machined from solid aluminium, copper or 316 stainless steel. This eliminates the need for holes and visible screws giving the Solid Eyelid a seamless appearance



SLS



SLSSQ



Wall Mount

Designed for mounting on the sides of buildings or vertical surfaces in order to highlight the wall structure or features or provide an elevated position for illumination of specific areas

Horse Shoe Bend, Wanaka, New Zealand



Wall Spot ^{WS} Twin Wall Spot ^{TWS}

CATEGORY

Wall Mount

DESCRIPTION

The Hunza Wall Spot and Twin Wall Spot are wall-mounted luminaires with fully adjustable heads, each allowing 360 degree rotation and 0-90 degree elevation. Can be supplied with Locking Knuckle.

PURE LED (per head)

LED Chip	Cree MTG-2 Plug and Play, field replaceable LED boards
Luminaire Output*	600 lumens @ 1050mA
Lumens Per Watt	100 lumens @ 6 watts
CRI Warm White (3000K)	85+, 90+(optional)
Colour Temperature	2700K, 3000K and 4000K
Beam Angle	15, 25, 38, 60

* Actual delivered output from a luminaire with unobstructed beam

Physical Properties

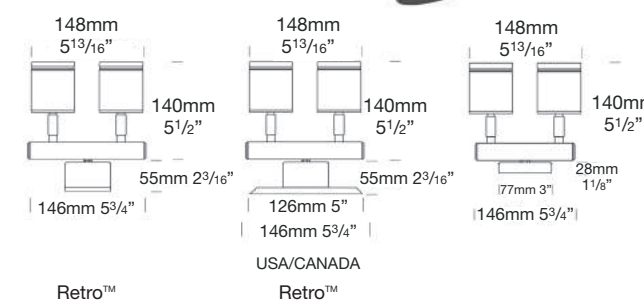
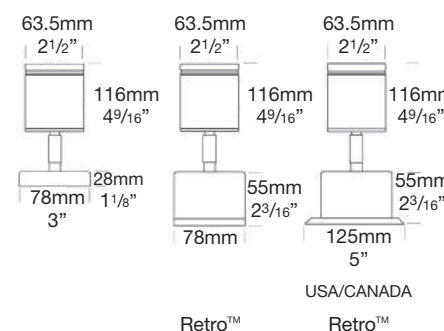
Materials	Solid Powdercoated Aluminium, Copper or 316 Stainless Steel
Ingress Protection	IP66
Standards	CE, EN60598, AS/NZS 61046, UL 1838, 2108, 1598

Power Supply Options

Remote (Series) Driver, Integral 12 VAC driver with transformer, Integral 9-36 VDC Driver, Retro 110/240 volt driver

Alternative Light Sources

MR16 20 or 35 watt, Promus MR16 LED, Promus GU10 LED



Euro Wall Spot ^{EWS} Euro Twin Wall Spot ^{ETWS}

CATEGORY

Wall Mount

DESCRIPTION

The Hunza Euro Wall Spot and Twin Wall Spot are compact wall-mounted luminaires with fully adjustable heads, each allowing 360 degree rotation and 0-90 degree elevation. Can be supplied with Locking Knuckle.

PURE LED (per head)

LED Chip	Cree MTG-2 Plug and Play, field replaceable LED boards
Luminaire Output*	420 lumens @ 700mA
Lumens Per Watt	105 lumens @ 4 watts
CRI Warm White (3000K)	85+, 90+(optional)
Colour Temperature	2700K, 3000K and 4000K
Beam Angle	15, 25, 38, 60

* Actual delivered output from a luminaire with unobstructed beam

Physical Properties

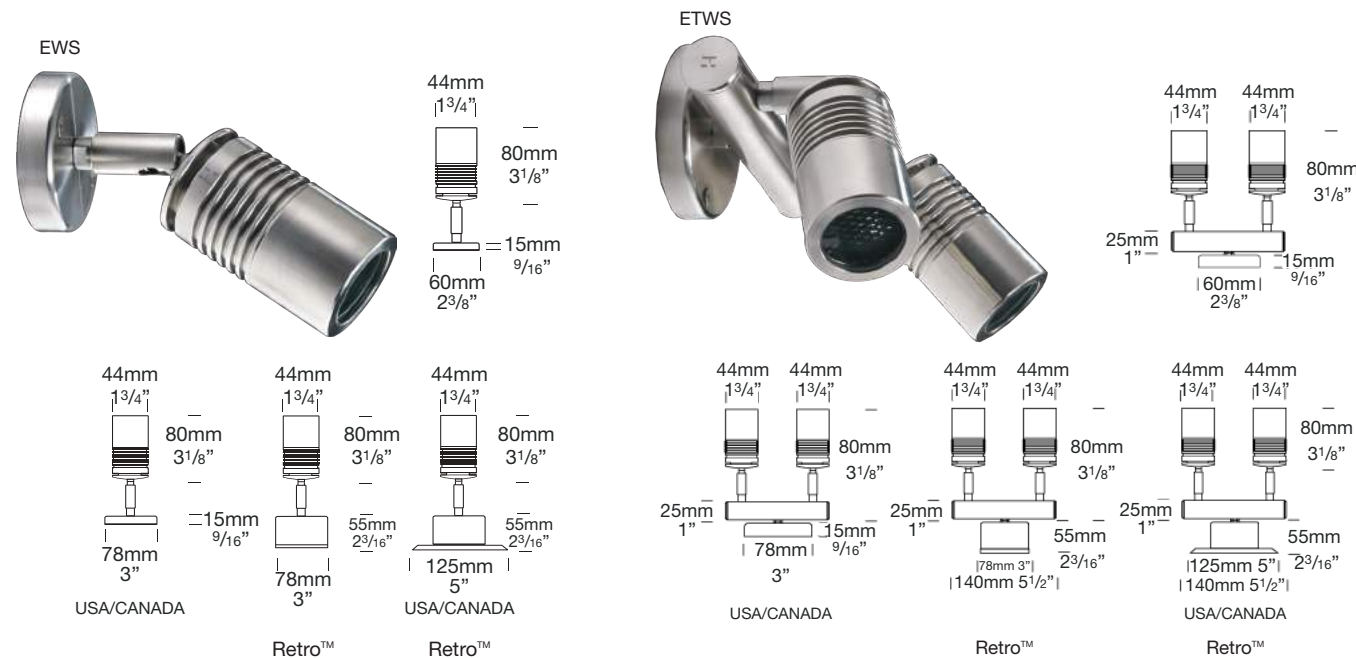
Materials	Solid Powdercoated Copper or 316 Stainless Steel
Ingress Protection	IP66
Standards	CE, EN60598, AS/NZS 61046, UL 1838, 2108, 1598

Power Supply Options

Remote (Series) Driver, Integral 12 VAC driver with transformer, Integral 9-36 VDC Driver, Retro 110/240 volt driver

Alternative Light Sources

MR11 5, 10 or 20 watt, Promus MR11 LED



Down Lite ^{DL} Pillar Lite ^{PIL}

CATEGORY

Wall Mount

DESCRIPTION

The Down Lite luminaire has a fixed head to give a dramatic wash-lighting effect on walls – it can be directed either downwards or upwards. The Pillar Lite illuminates both upwards and downwards, giving columns, gateway pillars and entrances a dramatic effect.

PURE LED (per head)

LED Chip	Cree MTG-2 Plug and Play, field replaceable LED boards
Luminaire Output*	600 lumens @ 1050mA
Lumens Per Watt	100 lumens @ 6 watts
CRI Warm White (3000K)	85+, 90+(optional)
Colour Temperature	2700K, 3000K and 4000K
Beam Angle	15, 25, 38, 60

* Actual delivered output from a luminaire with unobstructed beam

Physical Properties

Materials	Solid Powdercoated Aluminium, Copper or 316 Stainless Steel
Ingress Protection	IP66
Standards	CE, EN60598, AS/NZS 61046, UL 1838, 2108, 1598

Power Supply Options

Remote (Series) Driver, Integral 12 VAC driver with transformer, Integral 9-36 VDC Driver, Retro 110/240 volt driver

Alternative Light Sources

MR16 20 or 35 watt, Promus MR16 LED, Promus GU10 LED



Euro Down Lite ^{EDL} Euro Pillar Lite ^{EPIL}

CATEGORY

Wall Mount

DESCRIPTION

The Euro Down Lite is a compact luminaire with a fixed head to give a dramatic wash-lighting effect on walls – it can be directed either downwards or upwards. The Euro Pillar Lite has both upwards and downwards illumination to provide a dramatic, wash-lighting effect on tall walls and columns.

PURE LED (per head)

LED Chip	Cree MTG-2 Plug and Play, field replaceable LED boards
Luminaire Output*	420 lumens @ 700mA
Lumens Per Watt	105 lumens @ 4 watts
CRI Warm White (3000K)	85+, 90+(optional)
Colour Temperature	2700K, 3000K and 4000K
Beam Angle	15, 25, 38, 60

* Actual delivered output from a luminaire with unobstructed beam

Physical Properties

Materials	Solid Copper or 316 Stainless Steel
Ingress Protection	IP66
Standards	CE, EN60598, AS/NZS 61046, UL 1838, 2108, 1598

Power Supply Options

Remote (Series) Driver, Integral 12 VAC driver with transformer, Integral 9-36 VDC Driver, Retro 110/240 volt driver

Alternative Light Sources

MR11 5, 10 or 20 watt, Promus MR11 LED



Pagoda Lite ^{PGL} Pagoda Pagoda Lite ^{PGL/PGL}

CATEGORY

Wall Mount

DESCRIPTION

The Pagoda and Pagoda Pagoda fixtures provide non-directional lighting, ideal for illumination of areas such as porches or entrance ways.

PURE LED MTG2 (per head)

LED Chip	Cree MTG-2 Plug and Play, field replaceable LED boards
Luminaire Output*	510 lumens @ 1050mA
Lumens Per Watt	85 lumens @ 6 watts
CRI Warm White (3000K)	85+, 90+(optional)
Colour Temperature	2700K, 3000K and 4000K
Beam Angle	360 degrees

* Actual delivered output from a luminaire with unobstructed beam

Physical Properties

Materials	Solid Powdercoated Aluminium, Copper or 316 Stainless Steel
Ingress Protection	IP66
Standards	CE, EN60598, AS/NZS 61046, UL 1838, 2108, 1598

Power Supply Options

Remote (Series) Driver, Integral 12 VAC driver with transformer, Integral 9-36 VDC Driver, Retro 110/240 volt driver

Alternative Light Sources

G4 5, 10 or 20 watt, Promus G4JC LED



Pillar Pagoda Lite PILPGL

CATEGORY

Wall Mount

DESCRIPTION

The Pillar Pagoda Lite produces a general lighting effect at the pagoda end, as well as up-lighting or down lighting at the pillar end.

PURE LED (per head)

LED Chip	Cree MTG-2 Plug and Play, field replaceable LED boards
Luminaire Output*	510 lumens @ 1050mA
Lumens Per Watt	85 lumens @ 6 watts
CRI Warm White (3000K)	85+, 90+(optional)
Colour Temperature	2700K, 3000K and 4000K
Beam Angle	15, 25, 38, 60/360

* Actual delivered output from a luminaire with unobstructed beam

Physical Properties

Materials	Solid Powdercoated Aluminium, Copper or 316 Stainless Steel
Ingress Protection	IP66
Standards	CE, EN60598, AS/NZS 61046, UL 1838, 2108, 1598

Power Supply Options

Remote (Series) Driver, Integral 12 VAC driver with transformer, Integral 9-36 VDC Driver, Retro 110/240 volt driver

Alternative Light Sources

MR16 20 or 35 watt, Promus MR16 LED, Promus GU10 LED



Tier Lite Wall Mount TLWM

CATEGORY

Wall Mount

DESCRIPTION

This fitting is the wall-mountable version of the Tier Lite. It provides 360 degree illumination on a horizontal plane without projecting vertical light. It is ideal for lighting areas like porches and entranceways.

PURE LED (per head)

LED Chip	Cree MTG-2 Plug and Play, field replaceable LED boards
LED Output	510 lumens @ 1050mA
Lumens Per Watt	85 lumens @ 6 watts
CRI Warm White (3000K)	85+, 90+(optional)
Colour Temperature	2700K, 3000K and 4000K
Beam Angle	360 degrees

Physical Properties

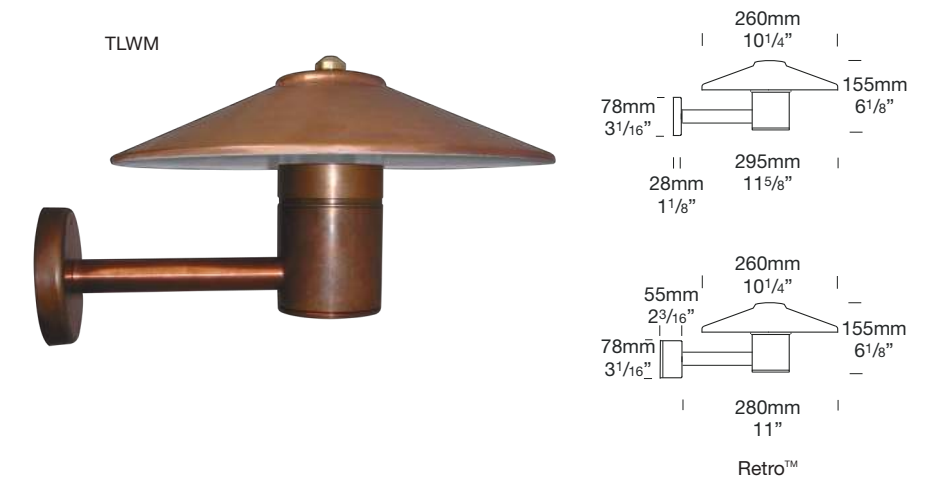
Materials	Solid Powdercoated Aluminium, Copper or 316 Stainless Steel
Ingress Protection	IP66
Standards	CE, EN60598, AS/NZS 61046, UL 1838, 2108, 1598

Power Supply Options

Remote (Series) Driver, Integral 12 VAC driver with transformer, Integral 9-36 VDC Driver, Retro 110/240 volt driver

Alternative Light Sources

G4 bi-pin 5, 10 or 20 watt, Promus G4JCLED



Mouse MOUSE Mouse Square MOUSEQ

CATEGORY

Wall Mount

DESCRIPTION

The Mouse Lites have been specifically designed to be mounted on vertical surfaces in gardens and landscapes. They have a shape that is pleasing to the eye and blends unobtrusively into any environment.

PURE LED (per head)

LED Chip	Cree XPG-3 Plug and Play, field replaceable LED boards
LED Output	120 lumens @ 700mA
Lumens Per Watt	60 lumens minimum
CRI Warm White (3000K)	85+, 90+(optional)
Colour Temperature	2700K, 3000K and 4000K, Red, Green, Blue, Amber

Physical Properties

Materials	Solid Bronze or 316 Stainless Steel
Ingress Protection	IP66
Standards	CE, EN60598, AS/NZS 61046, UL 1838, 2108

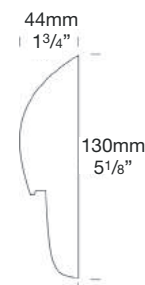
Power Supply Options

Remote (Series) Driver, Integral 12 VAC driver with transformer, Integral 9-36 VDC Driver, Retro 240 volt driver

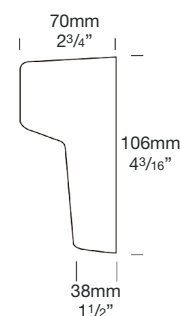
Alternative Light Sources

G4 bi-pin 5, 10 or 20 watt, G9 25 watt, Promus G4JLED

MOUSE



MOUSESQ



Sign Lite SGNL Twin Sign Lite TSGNL

CATEGORY

Wall Mount

DESCRIPTION

The Sign Lite is designed to illuminate signs, wall displays and building features. It is also ideal for lighting external barbecues. The head is fully adjustable allowing 360 degree rotation and 0-90 degree elevation. Can be supplied with Locking Knuckle.

PURE LED (per head)

LED Chip	Cree MTG-2 Plug and Play, field replaceable LED boards
Luminaire Output*	600 lumens @ 1050mA
Lumens Per Watt	100 lumens @ 6 watts
CRI Warm White (3000K)	85+, 90+(optional)
Colour Temperature	2700K, 3000K and 4000K
Beam Angle	15, 25, 38, 60

* Actual delivered output from a luminaire with unobstructed beam

Physical Properties

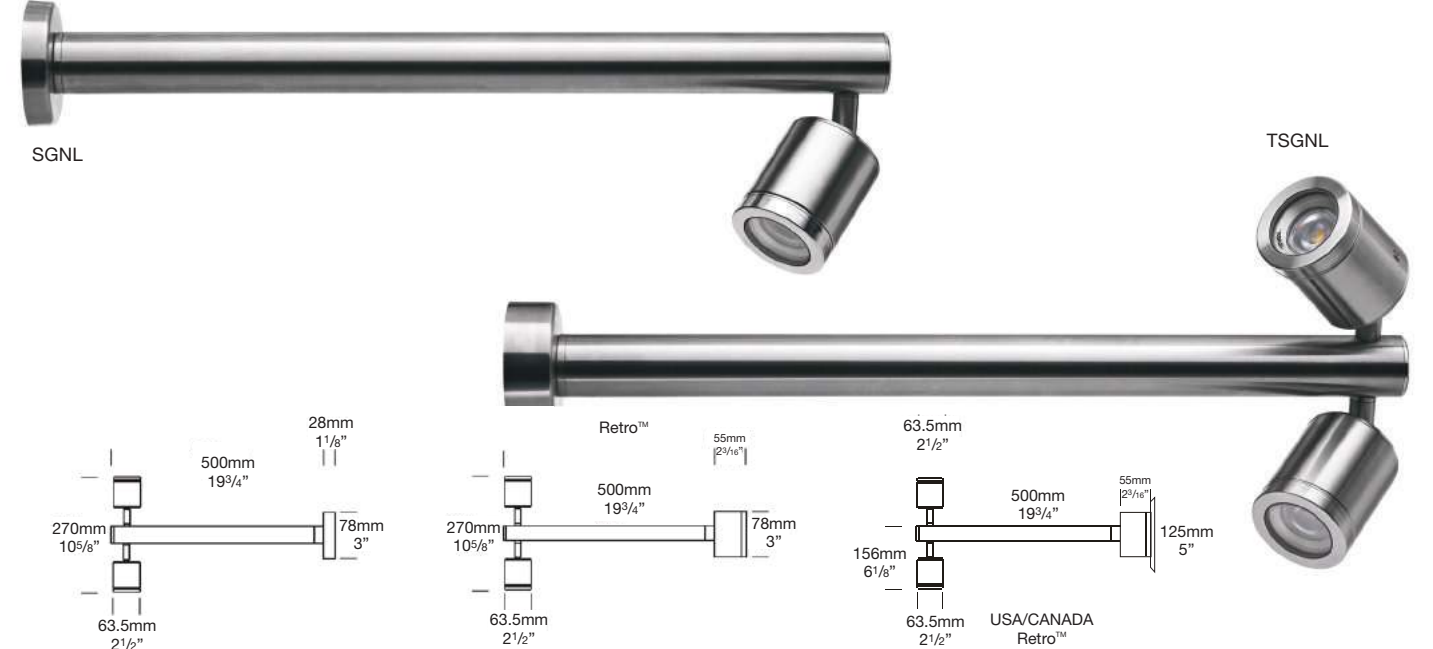
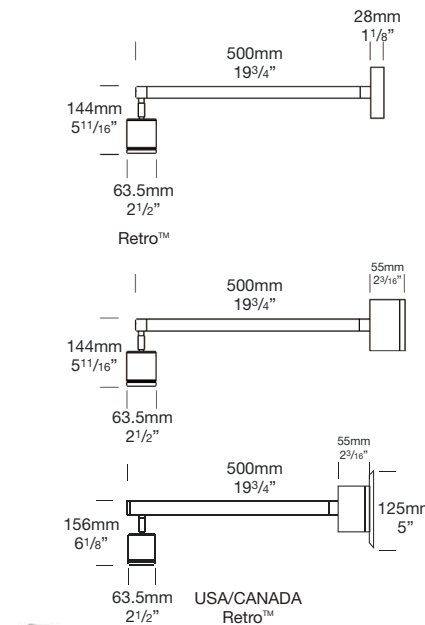
Materials	Solid Powdercoated Aluminium, Copper or 316 Stainless Steel
Ingress Protection	IP66
Standards	CE, EN60598, AS/NZS 61046, UL 1838, 2108, 1598

Power Supply Options

Remote (Series) Driver, Integral 12 VAC driver with transformer, Integral 9-36 VDC Driver, Retro 110/240 volt driver

Alternative Light Sources

MR16 20 or 35 watt, Promus MR16 LED, Promus GU10 LED



Euro Sign Lite ^{ESGNL} Euro Twin Sign Lite ^{ETSGNL}

CATEGORY

Wall Mount

DESCRIPTION

The Euro Sign Lite is an extra-compact luminaire designed for situations where the fixture needs to be unobtrusive, to illuminate signs, wall displays and building features. It is also ideal for lighting external barbeques. The head is fully adjustable allowing 360 degree rotation and 0-90 degree elevation. Can be supplied with Locking Knuckle.

PURE LED (per head)

LED Chip	Cree MTG-2 Plug and Play, field replaceable LED boards
Luminaire Output*	420 lumens @ 700mA
Lumens Per Watt	105 lumens @ 4 watts
CRI Warm White (3000K)	85+, 90+(optional)
Colour Temperature	2700K, 3000K and 4000K
Beam Angle	15, 25, 38, 60

* Actual delivered output from a luminaire with unobstructed beam

Physical Properties

Materials	Solid Copper or 316 Stainless Steel
Ingress Protection	IP66
Standards	CE, EN60598, AS/NZS 61046, UL 1838, 2108, 1598

Power Supply Options

Remote (Series) Driver, Integral 12 VAC driver with transformer, Integral 9-36 VDC Driver, Retro 110/240 volt driver

Alternative Light Sources

MR11 5, 10 or 20 watt, Promus MR11 LED



Cube Wall Lite ^{CWL} Cube Pillar Lite ^{CPIL}

CATEGORY

Wall Mount

DESCRIPTION

The Cube Lites are designed to be wall mounted for multiple lighting applications. The wall lite can be used as a spot light or it can be locked into place for use as an uplight or downlight. The Cube Pillar Lite illuminates both upwards and downwards, giving columns, gateway pillars and entrances a dramatic effect.

PURE LED (per head)

LED Chip	Cree XPG-3 Plug and Play, field replaceable LED boards
Luminaire Output*	180 lumens @ 1050mA
Lumens Per Watt	60 lumens @ 3 watts
CRI Warm White (3000K)	85+, 90+(optional)
Colour Temperature	2700K, 3000K and 4000K, Red, Green, Blue, Amber
Beam Angle	15, 25, 45

* Actual delivered output from a luminaire with unobstructed beam

Physical Properties

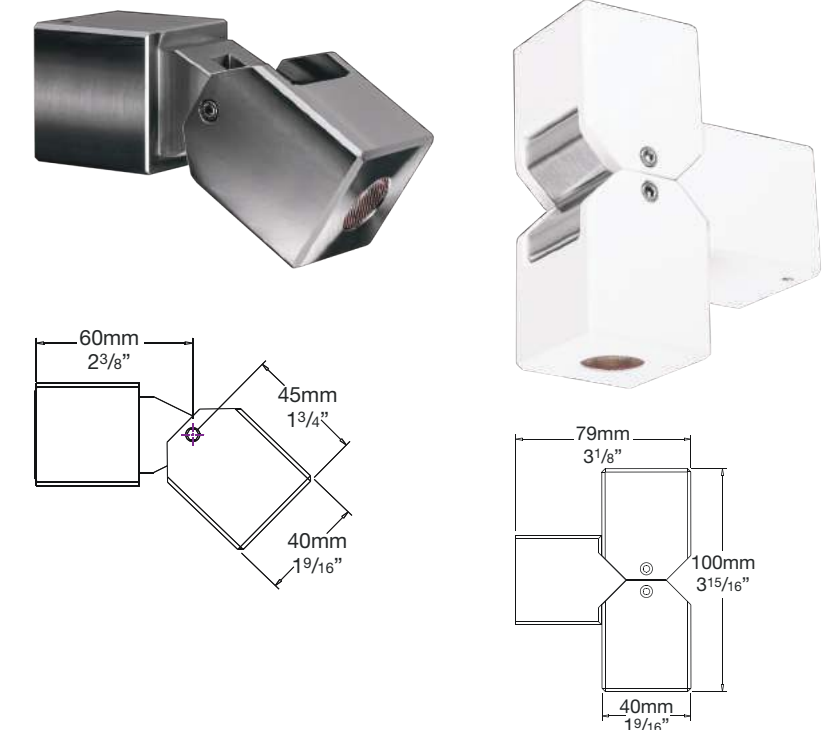
Materials	Solid Powdercoated Aluminium, 316 Stainless Steel
Ingress Protection	IP66
Standards	CE, EN60598, AS/NZS 61046, UL 1838, 2108, 1598

Power Supply Options

Remote (Series) Driver

CWL

CPIL



Wall Spot High Power ^{WS/HP}

Down Lite High Power ^{DL/HP}

Pillar Lite High Power ^{PIL/HP}

CATEGORY

Wall Mount

DESCRIPTION

The High Power Wall LED fittings are designed for mounting on walls or sides of buildings to provide directional light for pathways and structural elements of a building or wall washing. The Wall Spot High Power has a fully adjustable head allowing 360 degree rotation and 0-90 degree elevation. Supplied with Locking Knuckle. Dimmable.

HIGH POWER (per head)

LED Chip	Cree MTG-2 Plug and Play, field replaceable LED boards
Luminaire Output*	1000 lumens @ 2080mA
Lumens Per Watt	83 lumens @ 12 watts
CRI Warm White (3000K)	85+, 90+(optional)
Colour Temperature	2700K, 3000K and 4000K
Beam Angle	15, 25, 38, 60

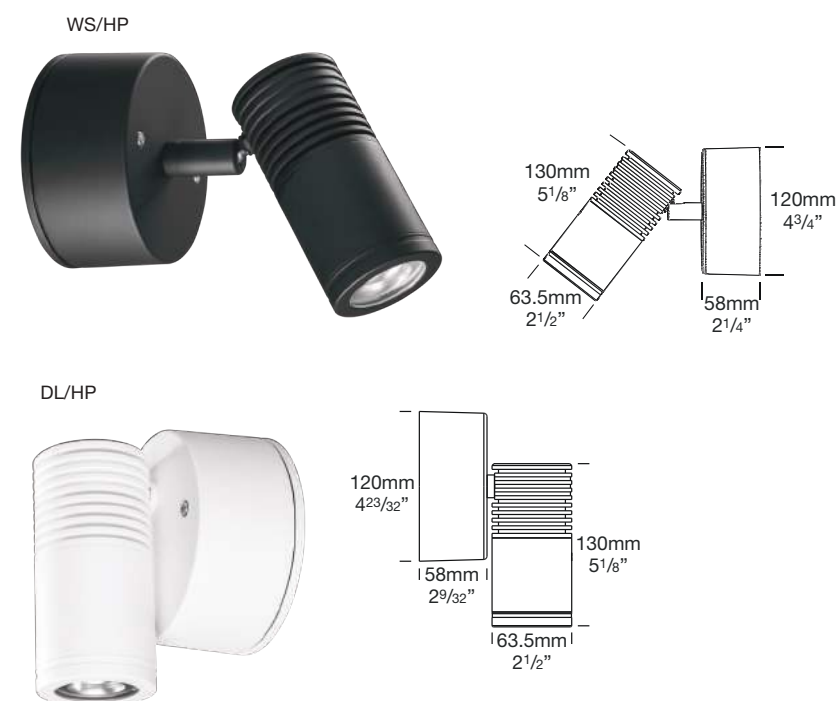
* Actual delivered output from a luminaire with unobstructed beam

Physical Properties

Materials	Solid Powdercoated Aluminium
Ingress Protection	IP66
Standards	CE, EN60598, AS/NZS 61046, UL 1838, 2108, 1598

Power Supply Options

Remote (Series) Driver, Retro 110/240 volt driver



Tree Mount

These luminaires can be safely mounted on trees enabling dramatic lighting effects of trunk, canopies and other elevated objects. They can also be used for moonlighting effects.

Hanging Lite ^{HL}

CATEGORY

Tree Mount

DESCRIPTION

This luminaire is a single spotlight which can be easily hung from high vantage points, including trees, fences and over-hangs, providing a dynamic moon lighting effect. Includes a stainless steel cable.

PURE LED (per head)

LED Chip	Cree MTG-2 Plug and Play, field replaceable LED boards
Luminaire Output*	600 lumens @ 1050mA
Lumens Per Watt	100 lumens @ 6 watts
CRI Warm White (3000K)	85+, 90+(optional)
Colour Temperature	2700K, 3000K and 4000K
Beam Angle	15, 25, 38, 60

* Actual delivered output from a luminaire with unobstructed beam

Physical Properties

Materials	Solid Powdercoated Aluminium, Copper or 316 Stainless Steel
Ingress Protection	IP66
Standards	AS/NZS 61046, UL 1838, 2108

Power Supply Options

Remote (Series) Driver, Integral 12 VAC driver with transformer, Integral 9-36 VDC Driver

Alternative Light Sources

MR16 20 or 35 watt, Promus MR16 LED, Promus GU10 LED

HL



Hanging Lite High Power ^{HL/HP}

CATEGORY

Tree Mount

DESCRIPTION

This luminaire is a single spotlight which can be easily hung from high vantage points, including trees, fences and over-hangs, providing a dynamic moon lighting effect. Includes a stainless steel cable.

HIGH POWER (per head)

LED Chip	Cree MTG-2 Plug and Play, field replaceable LED boards
Luminaire Output*	1000 lumens @ 2000mA
Lumens Per Watt	83 lumens @ 12 watts
CRI Warm White (3000K)	85+, 90+(optional)
Colour Temperature	2700K, 3000K and 4000K
Beam Angle	15, 25, 38, 60

* Actual delivered output from a luminaire with unobstructed beam

Physical Properties

Materials	Solid Powdercoated Aluminium
Ingress Protection	IP66
Standards	AS/NZS 61046, UL 1838, 2108

Power Supply Options

Remote (Series) Driver

HL/HP



Tree Mount Lite

NPS/SSP/T
NPS/SSP/TS

CATEGORY

Tree Mount

DESCRIPTION

The NPS Spot (refer to page number 28) can be installed on a tree trunk using the tree mount kit to increase illumination in the higher parts of the canopy or for cross lighting onto other high objects. Available with mounting stainless steel bolts (SSP/T) or rubber strap (SSP/TS). Can be supplied with Locking Knuckle.

PURE LED (per head)

LED Chip	Cree MTG-2 Plug and Play, field replaceable LED boards
Luminaire Output*	600 lumens @ 1050mA
Lumens Per Watt	100 lumens @ 6 watts
CRI Warm White (3000K)	85+, 90+(optional)
Colour Temperature	2700K, 3000K and 4000K
Beam Angle	15, 25, 38, 60

* Actual delivered output from a luminaire with unobstructed beam

Physical Properties

Materials	Solid Powdercoated Aluminium, Copper or 316 Stainless Steel
Ingress Protection	IP66
Standards	AS/NZS 61046, UL 1838, 2108

Power Supply Options

Remote (Series) Driver, Integral 12 VAC driver with transformer, Integral 9-36 VDC Driver

Alternative Light Sources

MR16 20 or 35 watt, Promus MR16 LED, Promus GU10 LED



Tree Mount High Power

TM/HP/R
TM/HP/S

CATEGORY

Tree Mount

DESCRIPTION

The Tree Mount High Power LED has been designed so it can be mounted on a tree to create moon lighting effects, for illuminating higher parts of the canopy, or cross lighting onto other high objects. Available with mounting stainless steel bolts (90SS Bolt) or rubber strap (standard – supplied with fitting). Supplied with Locking Knuckle. Dimmable.

HIGH POWER (per head)

LED Chip	Cree MTG-2 Plug and Play, field replaceable LED boards
Luminaire Output*	1000 lumens @ 2000mA
Lumens Per Watt	83 lumens @ 12 watts
CRI Warm White (3000K)	85+, 90+(optional)
Colour Temperature	2700K, 3000K and 4000K
Beam Angle	15, 25, 38, 60

* Actual delivered output from a luminaire with unobstructed beam

Physical Properties

Materials	Solid Powdercoated Aluminium
Ingress Protection	IP66
Standards	AS/NZS 61046, UL 1598

Power Supply Options

Remote (Series) Driver, Retro 110/240 volt driver



Ceiling Mount

Our range of ceiling downlights is ideal for installation in eaves, soffits, entranceways, verandahs, carports or covered decks. They can also be used in bathrooms and kitchens.



Down Lite Ceiling Mount ^{DLCM}

CATEGORY

Step

DESCRIPTION

The Down Lite Ceiling Mount PURE LED is suitable for surface mounting on ceilings using a 3 screw internal flange system.

PURE LED (per head)

LED Chip	Cree MTG-2 Plug and Play, field replaceable LED boards
Luminaire Output*	600 lumens @ 1050mA
Lumens Per Watt	100 lumens @ 6 watts
CRI Warm White (3000K)	85+, 90+(optional)
Colour Temperature	2700K, 3000K and 4000K
Beam Angle	15, 25, 38, 60

* Actual delivered output from a luminaire with unobstructed beam

Physical Properties

Materials	Solid Powdercoated Aluminium, Copper or 316 Stainless Steel
Ingress Protection	IP66
Standards	CE, EN60598, AS/NZS 61046, UL 1838

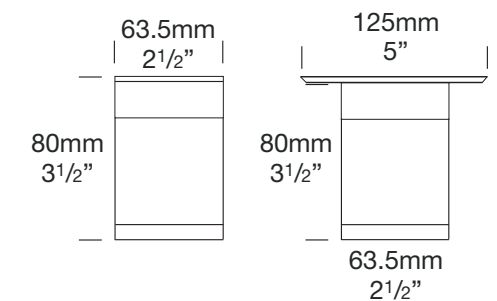
Power Supply Options

Remote (Series) Driver, Integral 12 VAC driver with transformer, Integral 9-36 VDC Driver, Retro 110/240 volt driver

Alternative Light Sources

MR16 20 or 35 watt, Promus MR16 LED, Promus GU10 LED

DLCM



USA/CANADA

Tilting Eave Lite

6 watt and 3 watt EAVE/T6 & EAVE/T3

CATEGORY

Ceiling Mount

DESCRIPTION

The Tilting Eave Lite is a recessed downlight ideal for installation in eaves, soffits, entrance ways, verandahs, carports or covered decks. It can also be used in bathrooms, kitchens or where moisture transfer or decibel rating is a minimum requirement. The "Eyeball" allows 360 degree rotation and 25 degree tilt from centre. The smaller version has 30 degree tilt from centre.

6 watt

PURE LED (per head)

LED Chip	Cree MTG-2 Plug and Play, field replaceable LED boards
Luminaire Output*	600 lumens @ 1050mA
Lumens Per Watt	100 lumens @ 6 watts
CRI Warm White (3000K)	85+, 90+(optional)
Colour Temperature	2700K, 3000K and 4000K
Beam Angle	15, 25, 38, 60

* Actual delivered output from a luminaire with unobstructed beam

Physical Properties

Materials	Solid Powdercoated Aluminium, Copper or 316 Stainless Steel
Ingress Protection	IP66
Standards	AS/NZS 61046, non-UL

Power Supply Options

Remote (Series) Driver, Integral 12 VAC driver with transformer, Integral 9-36VDC Driver

3 watt

PURE LED (per head)

LED Chip	Cree XPG-3 Plug and Play, field replaceable LED boards
Luminaire Output*	70 lumens @ 350mA 120 lumens @ 700mA
Lumens Per Watt	70 lumens @ 1 watt 60 lumens @ 2 watts
CRI Warm White (3000K)	85+, 90+(optional)
Colour Temperature	2700K, 3000K and 4000K, Red, Green, Blue, Amber
Beam Angle	15, 25, 45

* Actual delivered output from a luminaire with unobstructed beam

Physical Properties

Materials	Solid Powdercoated Aluminium, Copper or 316 Stainless Steel
Ingress Protection	IP66
Standards	AS/NZS 61046, non-UL

Power Supply Options

Remote (Series) Driver, Integral 12 VAC Driver with transformer, Integral 9-36 VDC Driver

EAVE/T6



EAVE/T3



Eave Lite EAVE

Eave 105 EAVE105

Eave Lite Square EAVESQ

CATEGORY

Ceiling Mount

DESCRIPTION

The Eave Lite is a recessed downlight ideal for installation in eaves, soffits, entrance ways, verandahs, carports or covered decks. It can also be used in bathrooms, kitchens or where moisture transfer or decibel rating is a minimum requirement.

PURE LED (per head)

LED Chip	Cree MTG-2 Plug and Play, field replaceable LED boards
Luminaire Output*	600 lumens @ 1050mA
Lumens Per Watt	100 lumens @ 6 watts
CRI Warm White (3000K)	85+, 90+(optional)
Colour Temperature	2700K, 3000K and 4000K
Beam Angle	15, 25, 38, 60

* Actual delivered output from a luminaire with unobstructed beam

Physical Properties

Materials	Solid Powdercoated Aluminium, Copper or 316 Stainless Steel
Ingress Protection	IP66
Standards	AS/NZS 61046, non-UL

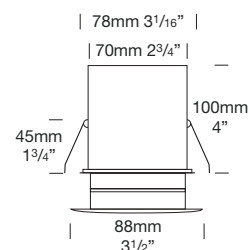
Power Supply Options

Remote (Series) Driver, Integral 12 VAC driver with transformer, Integral 9-36VDC Driver, Retro 110/240 volt driver

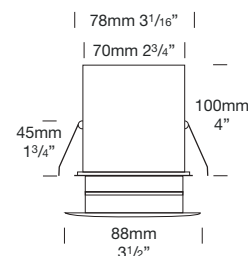
Alternative Light Sources

MR16 20 or 35 watt, Promus MR16 LED, Promus GU10 LED

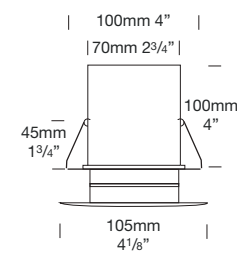
EAVESQ



EAVE



EAVE105



Cube Eave CEAVE

CATEGORY

Ceiling Mount

DESCRIPTION

The Cube Eave is a contemporary recessed downlight ideal for installation in eaves, soffits, entranceways, verandahs, carports or covered decks. It can also be used in bathrooms, kitchens or where moisture transfer or decibel rating is a minimum requirement.

PURE LED (per head)

LED Chip	Cree XPG-3 Plug and Play, field replaceable LED boards
Luminaire Output*	200 lumens @ 1050mA
Lumens Per Watt	66 lumens @ 3 watts
CRI Warm White (3000K)	85+, 90+(optional)
Colour Temperature	2700K, 3000K and 4000K, Red, Green, Blue, Amber

* Actual delivered output from a luminaire with unobstructed beam

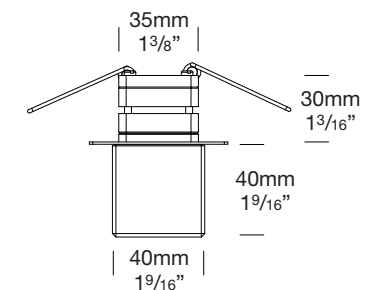
Physical Properties

Materials	Powdercoated Aluminium
Ingress Protection	IP66
Standards	AS/NZS 61046, non-UL

Power Supply Options

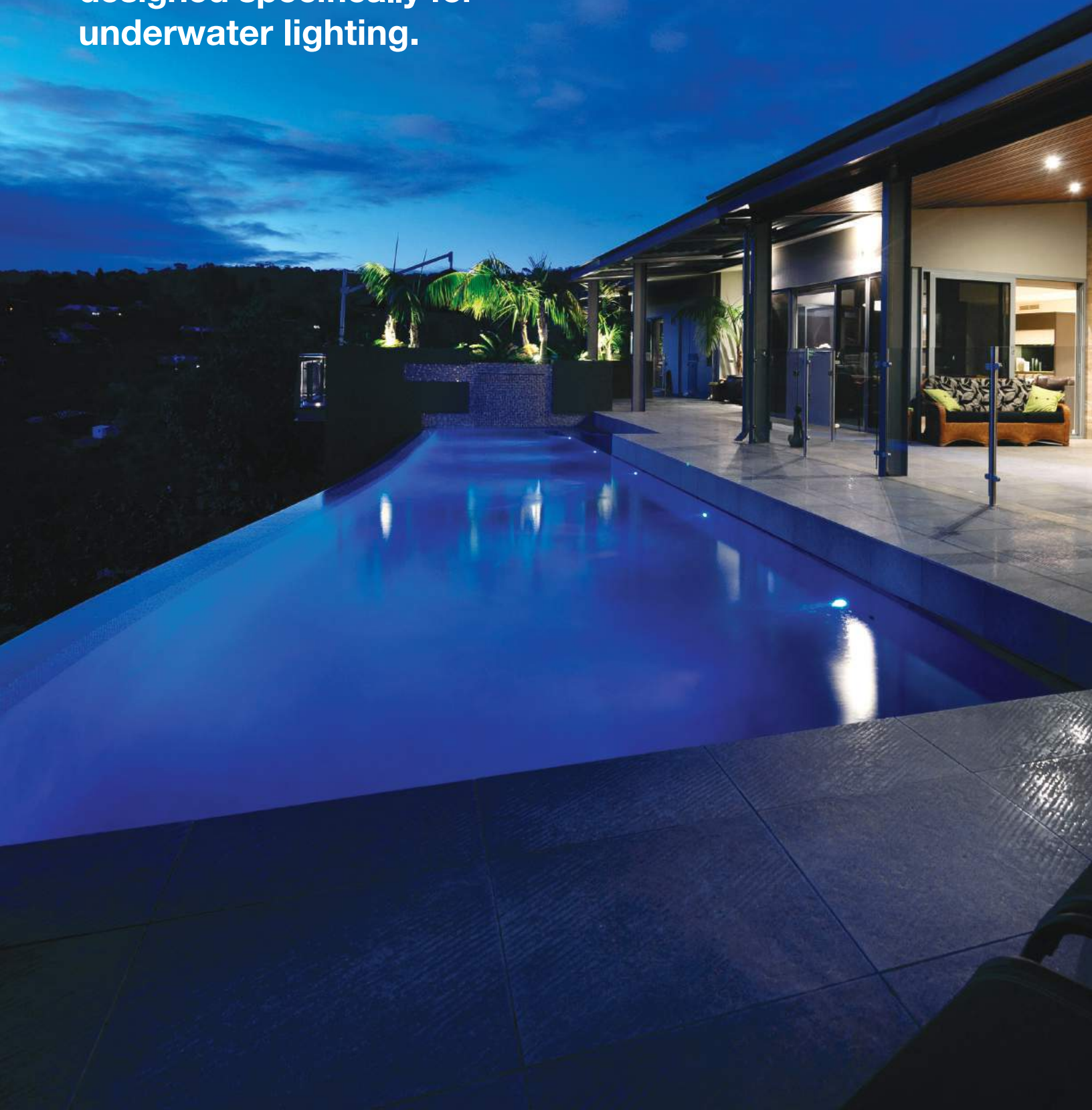
Remote (Series) Driver

CEAVE



Underwater

These models are designed specifically for underwater lighting.



Pond Lite ^{POND} Pond Lite Weighted Base ^{POND/W}

CATEGORY

Underwater

DESCRIPTION

The Pond Lite is an adjustable underwater luminaire designed for installation in ponds, fountains and water features. It is fully submersible, tested to an IP68 water protection rating and the adjustable head can be rotated 360 degrees and elevated up to 90 degrees. A weighted base model is available as an option. Supplied with 3 metres (10ft) of cable.

PURE LED MTG2 (per head)

LED Chip	Cree MTG-2 Plug and Play, field replaceable LED boards
Luminaire Output*	600 lumens @ 1050mA
Lumens Per Watt	100 lumens @ 6 watts
CRI Warm White (3000K)	85+, 90+(optional)
Colour Temperature	2700K, 3000K and 4000K
Beam Angle	15, 25, 28, 60

* Actual delivered output from a luminaire with unobstructed beam

Physical Properties

Materials	Solid Powdercoated Aluminium, Copper or 316 Electropolished Stainless Steel
Ingress Protection	IP68
Standards	AS/NZS 61046, UL 676 (stainless steel and copper only)

Power Supply Options

Remote (Series) Driver, Integral 12 VAC driver with transformer, Integral 9-36VDC Driver

Alternative Light Sources

MR16 20 or 35 watt, Promus MR16 LED



Pond Lite High Power POND/HP

CATEGORY

Underwater

DESCRIPTION

The Pond Lite High Power is an adjustable underwater luminaire designed for installation in ponds, fountains and water features. It is fully submersible, tested to an IP68 water protection rating and the adjustable head can be rotated 360 degrees and elevated up to 90 degrees. A weighted base model is available as an option. Supplied with 3 metres (10ft) of cable.

PURE LED (per head)

LED Chip	Cree MTG-2 Plug and Play, field replaceable LED boards
Luminaire Output*	1000 lumens @ 2000mA
Lumens Per Watt	83 lumens @ 12 watts
CRI Warm White (3000K)	85+, 90+(optional)
Colour Temperature	2700K, 3000K and 4000K
Beam Angle	15, 25, 38, 60

* Actual delivered output from a luminaire with unobstructed beam

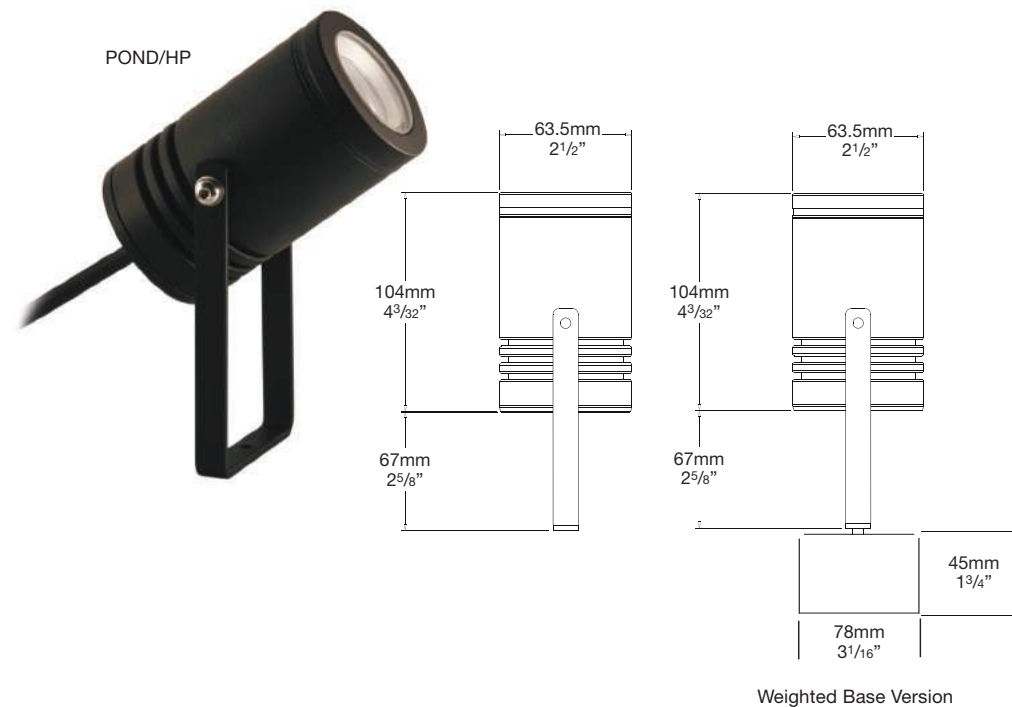
Physical Properties

Materials	Solid Powdercoated Aluminium
Ingress Protection	IP68
Standards	AS/NZS 61046, non-UL

Power Supply Options

Remote (Series) Driver

POND/HP



Pool Lite High Power POOL/HP

CATEGORY

Underwater

DESCRIPTION

The Pool Lite is a recessed underwater luminaire designed for recessed installation in swimming pools. It is fully submersible, tested to an IP68 water protection rating and features an electropolish finish for additional corrosion resistance. Supplied with 6 metres (20ft) of cable.

PURE LED (per head)

LED Chip	Cree MTG-2 Plug and Play, field replaceable LED boards
Luminaire Output*	1000 lumens @ 2000mA
Lumens Per Watt	83 lumens @ 12 watts
CRI Warm White (3000K)	85+, 90+(optional)
Colour Temperature	2700K, 3000K and 4000K
Beam Angle	15, 25, 38, 60

* Actual delivered output from a luminaire with unobstructed beam

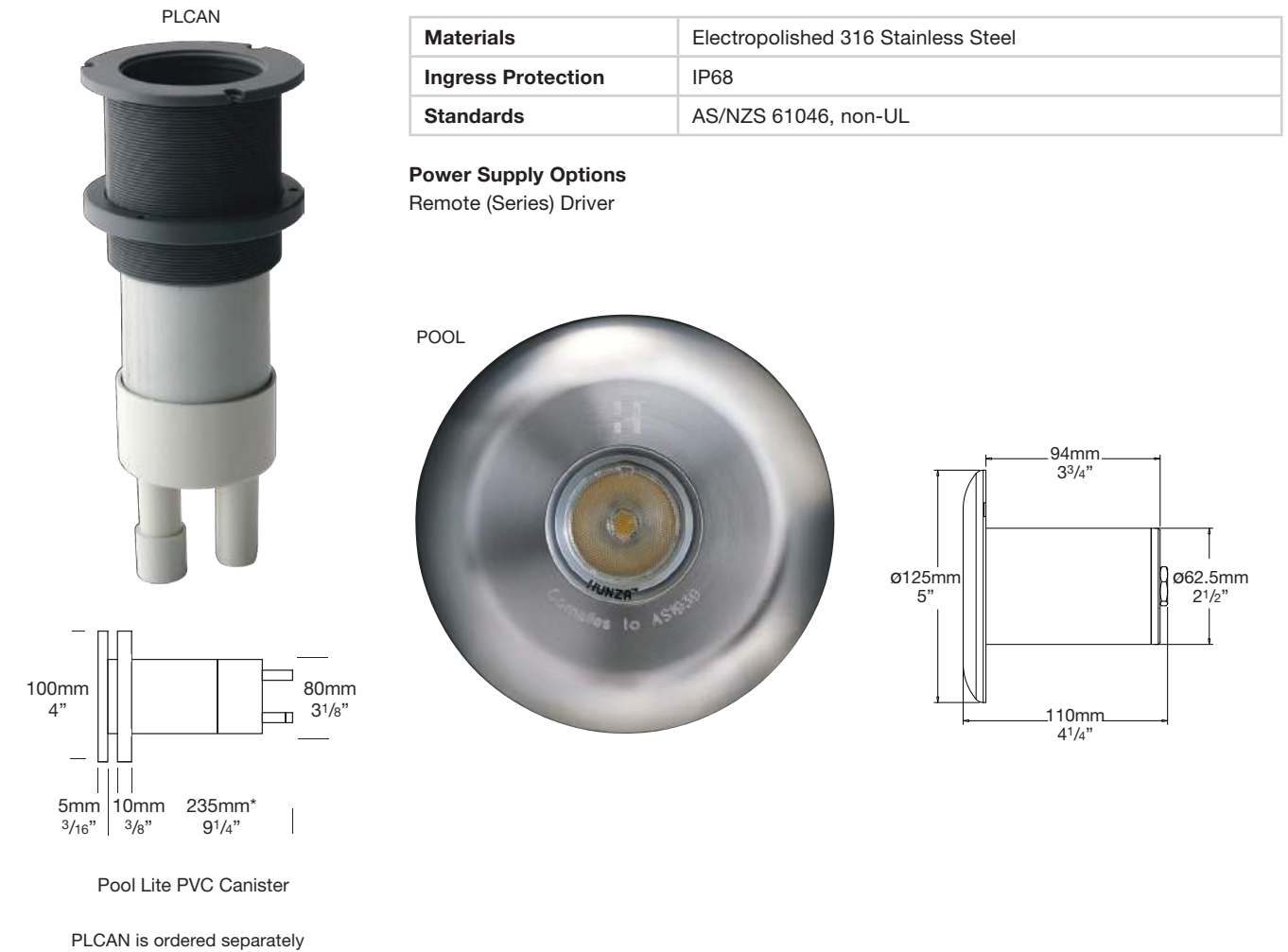
Physical Properties

Materials	Electropolished 316 Stainless Steel
Ingress Protection	IP68
Standards	AS/NZS 61046, non-UL

Power Supply Options

Remote (Series) Driver

POOL



Pool Lite PVC Canister

PLCAN is ordered separately

Pool Lite POOL

CATEGORY

Underwater

DESCRIPTION

The Pool Lite is a recessed underwater luminaire designed for recessed installation in swimming pools. It is fully submersible, tested to an IP68 water protection rating and features an electropolish finish for additional corrosion resistance. Supplied with 6 metres (20ft) of cable.

PURE LED MTG2 (per head)

LED Chip	Cree MTG-2 Plug and Play, field replaceable LED boards
Luminaire Output*	600 lumens @ 1050mA
Lumens Per Watt	100 lumens @ 6 watts
CRI Warm White (3000K)	85+, 90+(optional)
Colour Temperature	2700K, 3000K and 4000K
Beam Angle	15, 25, 38, 60

* Actual delivered output from a luminaire with unobstructed beam

Physical Properties

Materials	316 Electropolished Stainless Steel
Ingress Protection	IP68
Standards	AS/NZS 61046, UL 676 (integral driver version only)

Power Supply Options

Remote (Series) Driver, Integral 12 VAC driver with transformer, Integral 9-36VDC Driver

Alternative Light Sources

MR16 20 or 35 watt, Promus MR16 LED



Pool Lite PVC Canister



PLCAN is ordered separately



Accessories



Hunza provide a wide range of optional accessories to allow the user to customize luminaires according to their individual installation and lighting requirements.

Lens Options

CATEGORY

Accessories

DESCRIPTION

All lenses are easily installed by replacing the standard clear stepped lens supplied with the luminaire, or they can be specified when ordering.

Note: Replacing the standard clear lens with an accessory lens will alter the stated lumen output of the fixture.

Gobo Lens Adaptor GOBO

DESCRIPTION

The Gobo Lens Adaptor can be fitted to all of Hunza's standard 62.5-63.5mm (2 1/2") body fixtures, including the High Power Series, converting them into mini projectors. The Gobo assembly consists of a convex lens, threaded barrel, and 51mm Gobo holder, which projects an image or light pattern onto the wall, floor or ceiling. The barrel is screwed in and out to focus the image.



Frosted Lens

DESCRIPTION

Most Hunza fixtures can be specified with an optional frosted lens. The effect of these lenses is to soften the light beam, providing a more diffused lighting effect with less beam definition.

LENSSTEPF



Frosted Lens

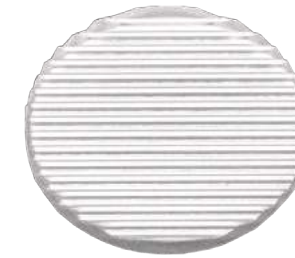
CATEGORY

Accessories
Lens Options

Linear Spread Lens LENSSPREAD

DESCRIPTION

Suitable for most MR16 Pure LED luminaires. The effect of this lens is to expand and flatten the light beam to cover a wider surface on one plane. The effect can be varied by rotating the lens inside the luminaire.

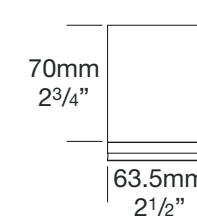
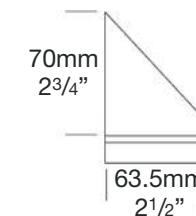


Glare Guards GG

DESCRIPTION

Glare Guards are a modular accessory suitable for many Hunza MR16 Pure LED luminaires. They serve 2 purposes: firstly, to protect the eye from the direct glare from the lamp; secondly, to provide an adjustable shield to direct light away from passers-by.

GG

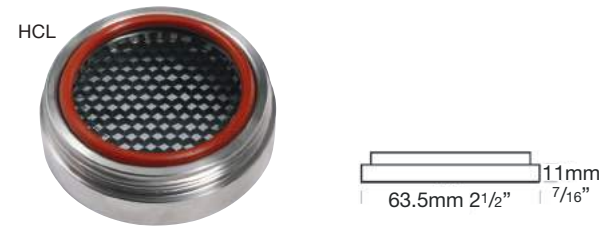


GG Moonlight

Hex Cell Louvre Kit ^{HCL}

DESCRIPTION

The Hex Cell Louvre Kit consists of an extension component for the luminaire body, a Hex Cell Louvre insert and an extra lens and gasket. The main purpose of the Louvre is to protect the eye from the sideways glare emitted from the lamp without dramatically changing the look of the luminaire.

**Locking Knuckle** ^{LKN}

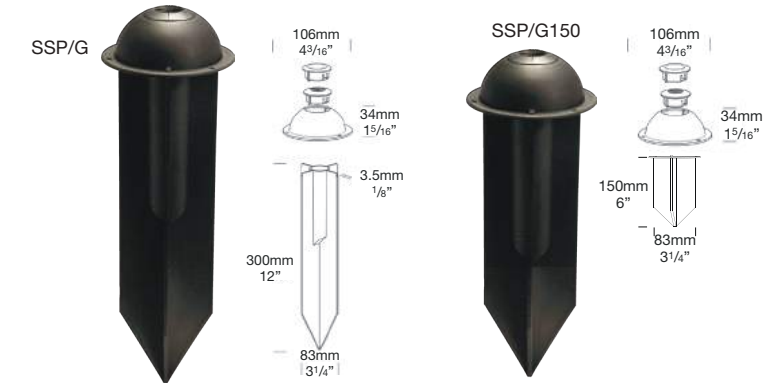
DESCRIPTION

The Locking Knuckle is an option ideal for public spaces, or where multiple lens accessories increase the weight of the fixture head and require additional knuckle tightness. The Locking Knuckle allows the same degree of adjustment as the standard version however it enables the user to lock the head at any specific position by tightening 2 screws.

**Super Spike
Mini Spike** <sup>SSP/G
SSP/G150</sup>

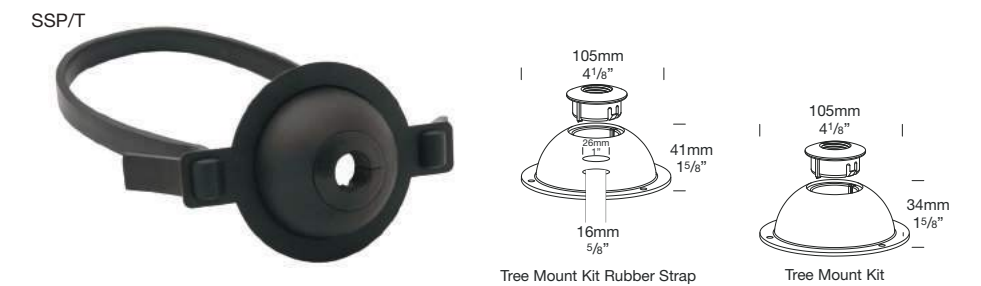
DESCRIPTION

The Super Spike is a tough polycarbonate stake which adds significant stability when used to mount the NPS Spot Adjustable or Hunza pole mounted luminaires (25mm pole only) in loose or sandy soil. Suitable to use with Aluminium, Copper and 316 Stainless Steel luminaires.

**Tree Mount Kit** ^{SSP/TS}

DESCRIPTION

The Tree Mount Kit is used to mount the NPS Spot Adjustable in a tree to create moon lighting effects, to light high canopies or for high-level cross illumination. Standard or rubber strap versions are available as options. Only available in black.

**Anti-syphon** ^{A/S}

DESCRIPTION

Most ground mounted Hunza luminaires are fitted with the anti syphon which is designed to reduce the likelihood of water entering the fixture through the cable. This system is designed to counter the problem of wicking (siphoning) causing water to condense inside the fixture body and dramatically shorten the life of the luminaire.



Mounting Canisters

CATEGORY

Accessories

DESCRIPTION

These mounting canisters provide an efficient and professional method of mounting HUNZA recessed luminaires. The mounting canister is installed during the rough-in stage of construction, avoiding damage to the luminaire itself, and the final stages of installation are completed at a later stage. Using a Hunza canister eliminates visible mounting screws.

Canister options are as follows:

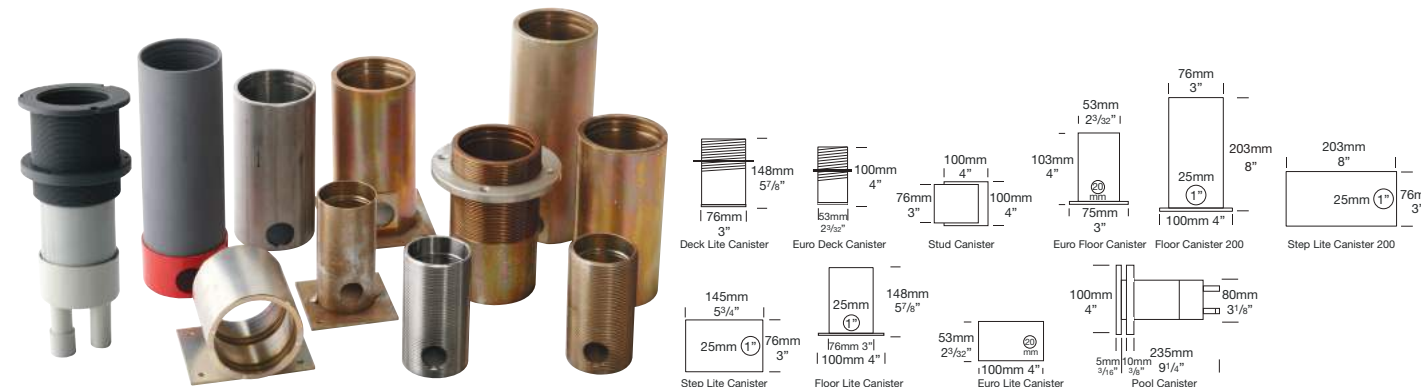
STEP LITE CANISTERS:

- SLCAN Step Lite Canister Aluminium (for concrete/stone)
- SLCAN 200 Step Lite Canister 200 Aluminium (for concrete/stone with antisiphon)
- CANSS Step Lite Canister 316 stainless steel (for limestone or locations near the sea)
- DKCAN Deck Mount Canister (for wood, decks etc)
- SLCAN/INT Internal Stud Canister (for cavity walls with studs)
- ELCAN Euro Canister (for MR11 Euro recessed luminaires in stone/concrete)
- ELDKCAN Euro Deck Mount Canister (for MR11 Euro recessed luminaires in wood)

FLOOR AND PATH LITE CANISTERS:

- FLCAN Floor/Path Lite Canister Aluminium (for new concrete)
- FLCAN 200 Floor Canister 200 Aluminium (for new concrete with antisiphon)
- SLCAN Step Lite Canister Aluminium (for core drill installation)
- CANSS Step Lite Canister 316 stainless steel (for limestone or locations near the sea)
- DKCAN Deck Mount Canister (for wood, decks etc)
- ELCAN Euro Canister (for MR11 Euro recessed luminaires in stone/concrete)
- ELDKCAN Euro Deck Mount Canister (for MR11 Euro recessed luminaires in wood)

The Deck Mount Canisters are adjustable and are suitable for use in varying thicknesses of timber – from 10mm (3/8”) – 75mm (3”).



CATEGORY

Accessories

The Pool Lite Canisters PLCAN/PLCAN100

DESCRIPTION

The Pool Lite canister (PLCAN) holds the luminaire in place by means of two high-temperature, heavy-duty gaskets and this allows installation with no visible screws on the front trim. It has a threaded flange to secure it to the pool wall/membrane.

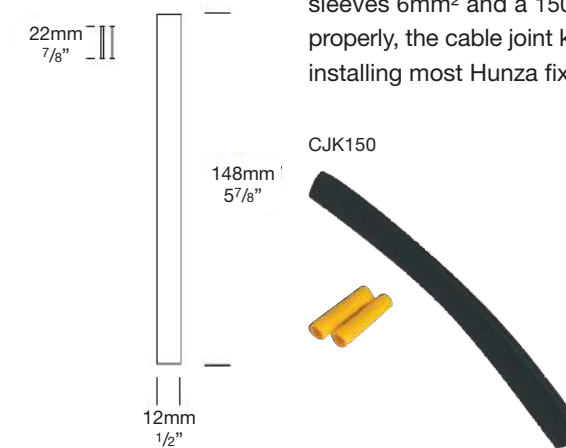
The PL100 is an alternative to Hunza’s standard pool canister, providing a reduced depth of 100mm to enable installation where space is an issue. This is achieved by increasing the diameter of the canister, to allow the extra cable to be coiled up inside so the fixture can be lifted above the water for maintenance or relamping.



Cable Joint Kit CJK150

DESCRIPTION

The Cable Joint Kit is designed to join two separate cables together using crimp sleeves and an adhesive heat shrink. A Cable Joint Kit includes two yellow crimp sleeves 6mm² and a 150mm long 12/4 black adhesive heat shrink. When used properly, the cable joint kit will provide a completely waterproof joint required for installing most Hunza fixtures.



Wall Box Adaptor ^{WBAP}

DESCRIPTION

For USA and Canada.

The Wall Box Adaptor Kit is designed to allow easy installation of wall mounted fixtures to standard USA 3/0 and 4/0 junction boxes. Supplied standard with USA Retro Wall Mount and available as an optional accessory for low voltage wall mount fixtures.

WBAP

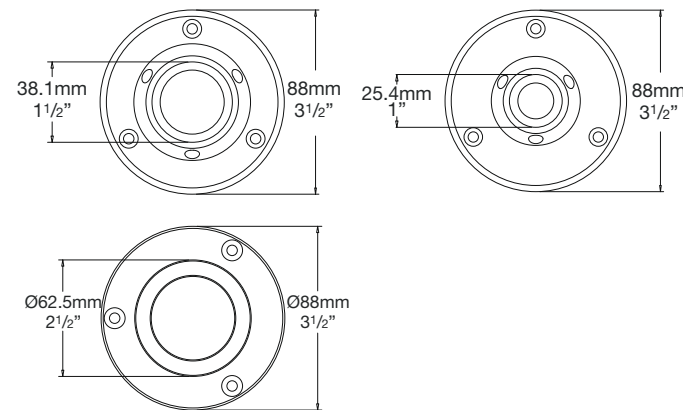


Flange Mount for 25mm (1"), 38mm (1.5") and 63.5mm (2.5") poles ^{FM25/FM38}

DESCRIPTION

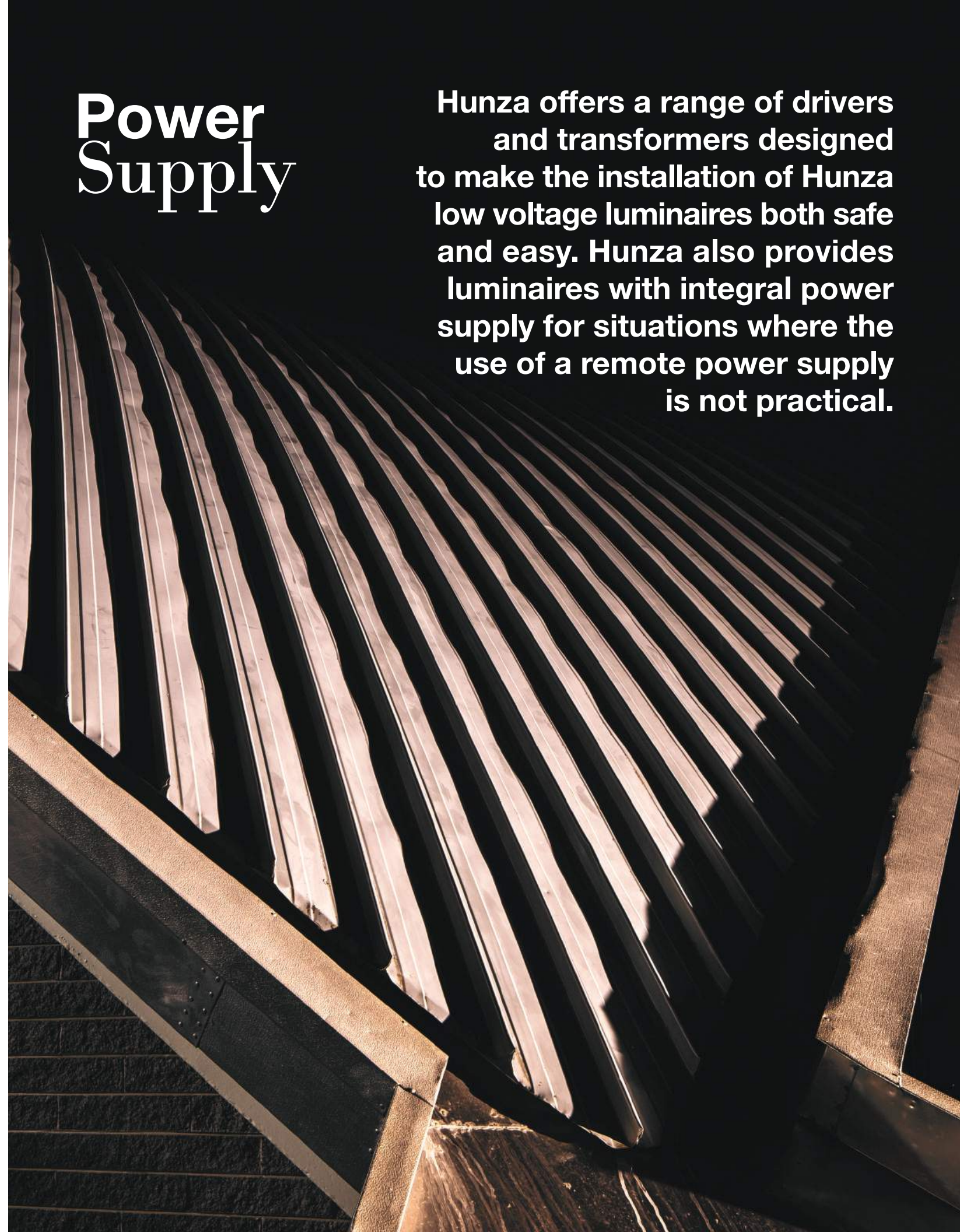
These optional Flange Mounts enable our 25mm (1"), 38mm (1.5") and 63.5mm (2.5") diameter pole mounted fixtures to be easily and quickly secured to any hard surface, such as concrete, stone or wood. When specified, the flanges are fixed to the base of the pole and are attached directly onto the mounting surface via 3 screws.

FM25/FM38



Power Supply

Hunza offers a range of drivers and transformers designed to make the installation of Hunza low voltage luminaires both safe and easy. Hunza also provides luminaires with integral power supply for situations where the use of a remote power supply is not practical.



LED Power Supplies

CATEGORY

Power Supply

DESCRIPTION

LED light sources require a driver for power supply. This driver can be built into the lamp, housed inside the luminaire body, or located externally.

Hunza offers two different types of LED system:

1. PURE LED, fully integrated
2. PROMUS, plug-in/drop-in LED lamp

1. PURE LED

In HUNZA PURE LED fixtures, the LED chip is mounted on a specially designed HUNZA board, which is installed in the fixture with a custom-made heat sink and optic to provide the ultimate in light output, energy efficiency and component life.

Power supply options include:

- ▶ Remote External Constant Current Driver - series version fixtures
- ▶ 12V AC Remote Magnetic Transformer - integral 12V AC driver version fixtures
- ▶ 12-24V DC Constant Voltage Driver – integral 12-24V DC driver version fixtures
- ▶ Mains/Line Voltage – Retro 120/240V integral driver version fixtures

Please refer to the following pages for general information on power supply options and a diagram on wiring for external and integral driver systems.

For detailed information on remote external driver models and installation please refer to the HUNZA website at www.hunzalighting.com/.

Hunza fixtures equipped with a 12V AC integral driver require an additional, remote power supply such as the Hunza Wall Mount transformer – see page 99.

Most Hunza integral drivers are plug and play for easier maintenance.

2. PROMUS

The Promus lamp has an LED board and integral 12V AC driver built into a traditional style housing, which plugs into the standard lampholder. These drop-in lamps are easy to install and replace however the light output and component life are significantly less than the PURE LED system.

Power supply options include:

- ▶ 12V AC Remote Magnetic Transformer – MR16, MR11 and Bipin lamps
- ▶ Mains/Line Voltage – Retro 120/240V integral transformer and GU10 fixtures

Please refer to the following pages for general information on power supply options and a diagram on wiring for systems with 12V AC Promus lamps.

For detailed information on installation please refer to the HUNZA website at www.hunzalighting.com/.

Hunza fixtures equipped with a Promus drop-in lamp require an additional, remote power supply such as the Hunza Wall Mount transformer – see page 99.

LED Wiring

CATEGORY

Power Supply

DESCRIPTION

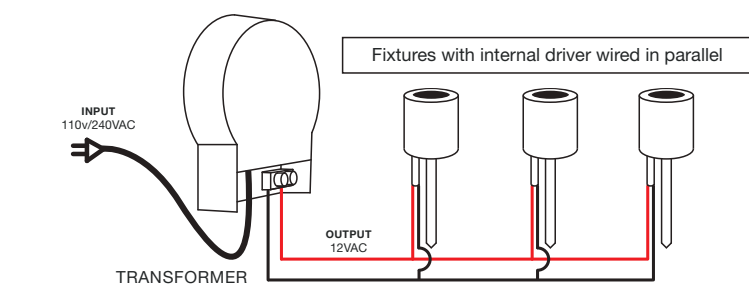
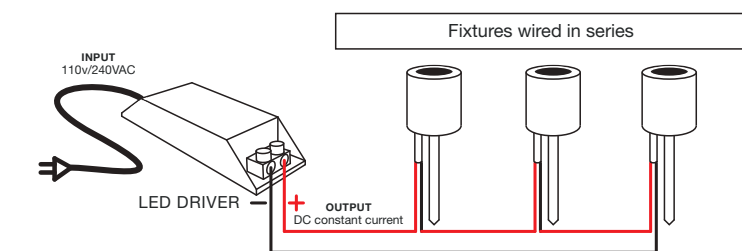
Remote Constant Current Driver - series wired version

A constant current remote driver system is the most efficient and cost effective way of powering HUNZA PURE LED fixtures, however the installation requirements are a little different from traditional methods.

Series Wiring

When using a remote constant current driver, it is very important to note that the fixtures need to be wired in series instead of the more traditional parallel wiring systems. This LED Wiring System Diagram shows the difference between these two wiring systems.

LED WIRING SYSTEM DIAGRAM



12V AC Remote Magnetic Transformer - integral 12VAC driver version and Promus lamps

Hunza PURE LED fixtures with an integral 12 volt AC driver built into the luminaire allow the fixture to be connected to a remote 12 volt magnetic landscape transformer such as the Hunza Wall Mount Transformer. This also applies to HUNZA fixtures supplied with a Promus drop-in LED lamp.

Parallel Wiring

One advantage of this 12 volt AC option is that it uses the more traditional parallel wiring, however the installation may be more expensive due to the requirement for additional driver components and heavier duty cable, and the dimming/control performance is also more limited.

Please refer to the Hunza website at www.hunzalighting.com/ for more detailed information on wiring and installation.

HUNZA PURE LED™ Integral Driver 12VAC or 9-36VDC

CATEGORY

Power Supply

DESCRIPTION

Low voltage luminaires provide a very safe and simple system for installing outdoor lighting, due to the fact that the power cables carry only 12 VAC and therefore can be installed close to the ground surface.

The 12 VAC integral driver enables a HUNZA PURE LED™ luminaire to be installed as a standard low voltage AC system, with the LED powered by a remote transformer for easy, economical installation, making it ideal for additions to existing as well as new projects.

The integral driver is installed inside the fixture body, so it is protected from water and does not require a separate housing.

This driver features a revolutionary dual quick-connect system, allowing the LED board to plug into the front and the 12 VAC Driver plugs in at the back.

Integral 12 VAC drivers for some MR11 and smaller luminaires are also available and these may be installed in the mounting bases, poles or in the Antisyphon housing, depending on the fixture type. Recommended Hunza transformers for use with these 12V AC drivers are as follow:

- ▶ Wall Mount Transformers WM30, WM60, WM100, WM200 and WM300
- ▶ IG30 and IG60 Transformers

The 9-36 VDC driver enables a HUNZA PURE LED™ luminaire to be installed as a 24 VDC system.



PURE LED™ Retro Driver

CATEGORY

Power Supply

DESCRIPTION

In situations where it is difficult to install a remote driver or transformer, such as in a brick wall or for replacement of existing 120/240 volt luminaires, the PURE LED™ Retro Driver allows wall mounted HUNZA fixtures to be connected directly to the household 120/240 volt power supply.

The electronic constant current driver is built into the luminaire base, increasing the base depth to 55mm (2 3/16"). All USA Retro wall mount fixtures are supplied with a wide back plate designed to suit a standard 3/0 or 4/0 junction box (this plate must be ordered separately if required for non-Retro fixtures - /WBAP).

The Retro option is available for most wall mounted models such as the Wall Spot, Wall Down Lite, Pillar Lite, Pagoda Lite, Euro Wall Spots and Euro Pillar Lite.

In landscape situations where it is difficult to install a remote driver or transformer, the PURE LED™ Retro Driver allows pole mounted HUNZA fixtures to be connected directly to the household 120/240 volt power supply.

The electronic constant current driver is built into the pole, increasing the lower section diameter to 63.5mm (2.5").

This option is available for most pole mounted models such as the 700mm Bollard, Border Lite, Euro Single and Twin Pole Lites, Twig Lite, Tier Lite and Walkway Lite.

Driver Type	Constant Current
Input	120 volt 60Hz or 230-240 volt 50Hz
Output	700mA



Inground Transformer IG

CATEGORY

Power Supply

DESCRIPTION

The Inground Transformer is a buriable unit designed to provide 12 volt power for low voltage luminaires in landscape lighting installations. This transformer is recommended for situations where a Wall Mount unit is either not practical or desirable.

Inground Transformers are available in either 120v 60Hz or 240v 50 Hz and in nine wattages: 20, 30, 40, 50, 60, 80, 100, 150, and 200 watt (each transformer has an IG designation).

Model IG60 has two individual 30 watt transformers inside the unit with a single output cable.

Models IG100, IG150 and IG200 have individual 50 watt transformers inside the unit with a single output cable, (e.g. IG100 has two 50 watt transformers) instead of one large transformer. These transformers are “double Insulated safety Isolating” transformers and are suitable for total burial (in locations where this is allowed).

The HUNZA In-ground Transformer has a high IPX7 water protection rating. It is critical that all wire connections are made completely waterproof by the use of a HUNZA CJK150 cable joint kit.

Input	120 volt 60Hz or 230–240 volt 50 Hz Please note IG30L & IG60L are available in 240Volt only
Output	12 volts AC – 50 watt 4.2 amp / 40 watt 3.3 amp / 20 watt 2.0 amp
Standards	AS3108, IPX7, NON UL

For advice on wiring requirements please contact your local HUNZA distributor for a free HUNZA Volt Drop calculator.

Magnetic transformers carry a five year replacement warranty.



Wall Mount Transformer WM

CATEGORY

Power Supply

DESCRIPTION

The Wall Mount Transformer is an above-ground, waterproof unit designed to provide 12 volt AC power for HUNZA low voltage luminaires in landscape lighting installations. Wall Mount Series Transformers have a black, glass-reinforced, UV stable nylon case, which provides durability, UV resistance and a low surface temperature.

It is compact and unobtrusive in appearance, blending well into any outdoor setting. The electrical components are fully encapsulated in the casing for protection against weather and irrigation systems.

The Wall Mount Series is suitable for 120/240 volt 50/60 Hz. operation and is available in 30, 60,100, 200 and 300 watt versions.

A key feature of this transformer is multi-tap output, providing the choice of either 12, 13 or 14 volt secondary output (WM100, WM200 and WM300 only). This allows much greater flexibility in compensating for voltage drop on long cable runs.

The unit has thermal protection for the primary side of the transformer with fuse protection for the secondary. There are 25mm (1”) and 32mm (1 1/4”) conduit entries to allow for different cable requirements.

HUNZA Wall Mount series are “Double Insulated Safety Isolating” transformers.

Input	120 volt 60Hz or 230–240 volt 50 Hz. Please note WM30 & WM60 are available in 240 volt only
Output	12 volts AC
Standards	CE, AS/NZ61046, IP66, UL 1838

For advice on wiring requirements please contact your local HUNZA distributor for a free HUNZA Volt Drop calculator.

Magnetic transformers carry a five year replacement warranty.



Electronic Transformers

CATEGORY

Power Supply

DESCRIPTION

The HUNZA LET75 and Lightech LET60LW are miniature electronic transformers suitable for powering 12 volt HUNZA luminaires in situations where the transformer is protected from moisture, e.g. inside a waterproof junction box, in a ceiling or in a cavity wall.

HUNZA LET75 Specifications

Input	240 volt AC \pm 10%, 50/60Hz
Output	12 volt AC
Maximum wattage load	75W
Minimum wattage load	20W

Dimmable with phase control, reverse phase control and universal dimmers
Standards CE and ENEC Approved.

Lightech LET60LW Specifications

Input	120 volt 60Hz
Output	12 volt AC
Maximum wattage load	60W
Minimum wattage load	2.5W (Suitable for LED plug-in lamps)
	Class 2 power supply
Standards	UL and CSA

Electronic transformers carry a three year replacement warranty.



Retro Transformer - Wall Mount

CATEGORY

Power Supply

DESCRIPTION

The Retro Wall Transformer 120/240 volt version is available for HUNZA wall mounted fixtures, for example the Wall Spot, Wall Down Lite, Pillar Lite, Pagoda Lite, Euro Wall Spots and Euro Pillar Lite.

With an electronic transformer built into the luminaire base (canopy), this option is designed for wall installations where mounting a remote transformer is not practical, e.g. in a brick wall where there is no space to recess the transformer or where an existing 120/240 volt light fitting needs to be replaced.

Retro luminaires are a very economical way to overcome potentially expensive installation problems.

With this option the base/canopy increases in depth to 55mm (2 3/16"). All USA Retro wall mount fixtures are supplied with a wide backplate designed to suit a standard 3/0 or 4/0 junction box (this plate must be ordered separately for non-Retro fixtures/WBAP).

The Halogen Retro transformer is 120 or 240/250 volt ac and is encapsulated in silicon. It is rated IP66 against water ingress, has a built-in safety shutdown system for overload and is dimmable with a leading edge dimmer. It will power 1 x 10 watt, 1 x 20 watt, 2 x 20 watt, 1 x 35 watt, 1 x 50 watt or 2 x 35 watt lamps.

Input	120 volt 60Hz or 230–240 volt 50 Hz
Output	12 volts AC – 75 watt
Standards	AS/NZ61046, EMC55015, EN61046, Z246, IP66, UL, CSA

Electronic transformers carry a three year replacement warranty.



USA WBAP

Retro Pole Transformer

CATEGORY

Power Supply

DESCRIPTION

The Retro Pole 120/240 volt version is available for HUNZA pole mounted fixtures, for example, the 700mm Bollard, Border Lite, Euro Single and Twin Pole Lites, Single and Twin Pole Lites, Twig Lite, Tier Lite and Walkway Lite.

This option is designed for installations where mounting the transformer is a problem and avoids the need to bury a transformer, e.g. where there is a long cable run required and a 120/240 volt power cable needs to be installed.

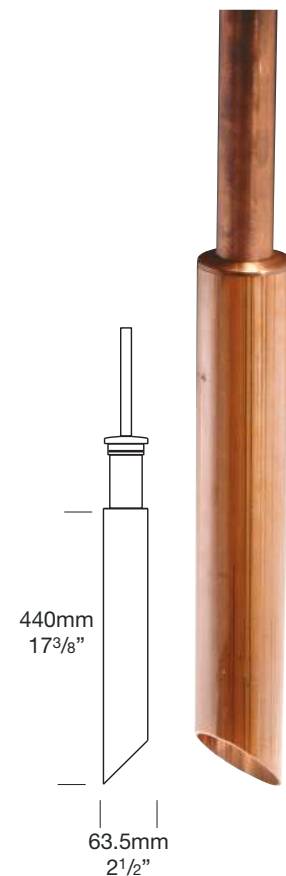
A situation such as a car park where a ring main has been installed would be ideal for this power supply option.

The Halogen Retro transformer is a double insulated safety-isolating transformer complies to EMC regulations and has a built-in safety shutdown system if it is overloaded.

It will power either 1 x 10 watt, 1 x 20 watt, 2 x 20 watt, 1 x 35 watt, 1 x 50 watt or 2 x 35 watt lamps.

Input	120 volt 60Hz or 230–240 volt 50 Hz
Output	12 volts AC – 75 watt
Standards	AS/NZ61046, EMC55015, EN61046, Z246, IP56, UL & CSA

Electronic transformers carry a three year replacement warranty.



INGRESS PROTECTION (IP) ACCORDING TO EN 60529/DIN 40050

IP68 PROTECTION AGAINST DUST (FIRST DIGIT)

0	No protection	No contact protection, no protection against solid particles and foreign bodies
1	Protection against large foreign bodies	Protection against large contact area with hands and foreign bodies $6 > 50\text{mm}$
2	Protection against medium foreign bodies	Protection against contact with fingers, protection against foreign bodies $6 > 12.5\text{mm}$
3	Protection against small foreign bodies	Protection against tool contact, foreign bodies, wires or the like with $0 > 2.5\text{mm}$
4	Protection against foreign grains	Protection against tool contact, foreign bodies, wires or the like with $0 > 1\text{mm}$
5	Dust-protected	Full contact protection. Protection against dust deposits inside
6	Dust-tight	Full contact protection. Protection against dust penetration

IP68 PROTECTION AGAINST WATER (SECOND DIGIT)

0	No protection	No protection, against water
1	Protection against dripping water	Protection against vertical water drops
2	Protection against inclined water drops	Protection against inclined water drops (any angle up to 15 degree to vertical line)
3	Protection against spray-water	Protection against spray water from an angle of 60 degrees to vertical line
4	Protection against splash-water	Protection against splash water from all directions
5	Protection against water jets	Protection against water jets from any angle
6	Protection against powerful water jets	Protection against powerful water jets from any angle
7	Protection against immersion	Protection against water penetration 1m below the surface
8	Protection against submersion	Protection against pressure water for indefinite time (customer tailored)

Myths and Facts about LED's

1. *Soviet inventor Oleg Losev invented the first LED in 1927.*
However, LED's were not commercially used until 1968. The current blue version LED with phosphor over the top (it is the phosphor that creates white light) was invented in Japan in 1992.
2. *If I have a 10watt LED it will produce more light than a 6 watt LED*
MYTH – this is a major error made by most people. The most important factor is “lumens per watt”. Technology is moving ahead extremely fast in the LED development sector. If an LED requires 10 watts to power it, this does not mean that it produces more light than a 6 watt LED. Currently high power LEDs produce 120 lumens directly off the chip. Two years ago it was only 65 lumens per watt.
3. Tungsten filament lamps - Only 2% is turned into light and waste 98% of the energy as heat. LED's produce approx. 30% light and 70% heat.
4. *LED's don't produce much heat*
MYTH – LED's produce heat in a very confined space (the foot print of the LED itself). If the LED requires 6 watts to operate then about 3.6 watts is wasted as heat.
5. *All LED's are dimmable*
FACT – BUT it is not the LED that is dimmed, it is the driver, which must be of a dimmable type. There are two main types of dimming systems: 0 – 10 volt and triac dimming.
6. *You can connect a string of LED's to a live driver*
MYTH – (this is called hot plugging) if the LED driver is connected to the mains before connecting the LEDs, it will instantly output its maximum voltage and current thereby blowing up the LED's.
7. *There are two types of LED drivers*
FACT – There are constant current and constant voltage. Constant current is used to wire LED's in series. This is the way Christmas lights are connected. Constant voltage is used for LED's that have a built in low voltage driver.
8. *Any driver will power a string of LED's*
MYTH – each LED has two specifications that must be taken into account. The first is forward voltage (vF) and the second is its maximum current rating measured in milliamps. As an example Cree manufacture the MTG-2 LED. It is a 6vF (forward volt) with a maximum drive current of 2000 milliamps, provided that the heat sink will not allow the LED to exceed 105°C at its junction point.
9. *There is no benefit and it is too hard to wire LED's in series*
MYTH – there is a great deal of money to be saved by wiring in series. As the driver is a constant current device it will compensate for the volt drop in the cable as a function of its design. Therefore much smaller cables can be used compared to parallel wiring. Parallel wiring requires each light fitting to have its own built in driver (a constant voltage device) plus it requires considerably larger cables (which makes wiring connections much more difficult) to compensate for voltage drop over longer distances.
10. *I don't need to worry about what polarity the LED connections are*
MYTH – LED's are a one shot opportunity to do it right. If the positive wire is connected to the negative side of the LED or vice versa it will seriously damage the LED. It may not destroy the LED immediately but it will certainly shorten the life of the LED and may reduce the light output.
11. *I can use a transformer if I don't have a driver*
MYTH – A transformer is an AC device. It delivers alternating current, not DC (direct current). LED's require a DC supply.

BLACK LABEL WARRANTY

When you purchase or specify a Hunza luminaire, you get the benefit of the legendary Hunza reputation for high quality and long life. We back this up with extended warranty, offering up to 10 years on body components and 5 years on the integral PURE LED™ system. Warranty on plug-in (drop-in) LED lamps is limited to 1 year. When installed and maintained properly Hunza luminaires will last a lifetime so we keep serviceability firmly in mind when designing the components and system construction.

Hunza Five Year Warranty*

All Hunza aluminium luminaires with a UV stable powder-coat finish have a five-year replacement warranty, subject to standard conditions listed below. Integral PURE LED™ components are limited to 5 year warranty. Warranty on plug-in (drop-in) LED lamps is limited to 1 year.

Hunza Ten Year Warranty*

All Hunza stainless steel and copper luminaires have a ten-year replacement warranty, subject to standard conditions listed below. Integral PURE LED™ components are limited to 5 year warranty. Warranty on plug-in (drop-in) LED lamps is limited to 1 year.

Hunza Lifetime Warranty*

All *glass* lenses supplied with Hunza luminaires have a lifetime warranty.

* Standard Conditions:

- | | | |
|--|--|---|
| <ol style="list-style-type: none"> 1. The environment in which the fixture is to be installed must be considered carefully when selecting the finish. Stainless steel luminaires are recommended for high-risk environments such as near salt water. Aluminium luminaires may not be covered by the full warranty in these situations. 2. Stainless Steel requires regular cleaning with fresh water when installed in salty environments. (Refer to instructions supplied with luminaire). 3. Hunza underwater fixtures are not be covered by warranty in situations where there are chemical imbalances in the water. | <ol style="list-style-type: none"> 4. Warranty excludes impact damage, incorrect installation and incorrect re-assembly. 5. Fixtures must be kept properly maintained, including replacement of gaskets and lenses when necessary. 6. Hunza, at its discretion, may replace components or the complete fixture. 7. Hunza warranty is limited to the repair or replacement of products ONLY, labour charges will not be accepted. 8. Hunza will not be liable for any labour charges for any repair or replacement of defective drivers. Drivers have their own manufacturer | <ol style="list-style-type: none"> warranty and any faults will be at the responsibility of the manufacturer. 9. Polycarbonate and acrylic lenses are limited to 5 year warranty. <i>N.B. Acrylic lenses must NOT be cleaned with any petrochemical substance, warranty will be void.</i> 10. Warranty excludes halogen lamps and lamp holders, which are consumable items. <p>Please see the Hunza website for full warranty information www.hunzalighting.com</p> |
|--|--|---|

PRODUCT CARE

HUNZA uses the highest quality materials in the construction of our luminaires. To prolong the life and maximize the performance of our products we recommend the following product care and maintenance procedures. Please do not use oven cleaner under any circumstances.

Powdercoated Aluminium Finishes

At HUNZA we only use low copper, machine-grade aluminium in the manufacture of our luminaires, which provides excellent adherence to the baked, powder coat finish. Powder coated aluminium provides an excellent blend of characteristics for outdoor luminaires, offering good strength and durability, a wide range of colours, superior heat dissipation, high resistance to UV and cost effectiveness.

To keep your powdercoated aluminium fixtures in the best condition, please clean by wiping gently with a damp, soft cloth or chamois and window cleaner. Do not use metal polishing compounds like Brasso1, Autosol2 etc. To restore the lustre of the paint finish, use a silicon spray.

Powdercoated aluminium fixtures are not recommended for installation near the sea or close to salt water.

Stainless Steel Finish

At HUNZA we only use 316 grade stainless in the manufacture of our luminaires, which provides one of the best levels of corrosion resistance for this type of metal, subject to standard cleaning procedures.

To keep your stainless steel fixtures in the best condition, clean them regularly by scrubbing with a nylon brush, detergent and water. Specialist stainless steel brightening gels are available but be aware that they are highly corrosive to other surfaces.

Surface (tea) staining may occur if stainless steel fixtures are not washed regularly. If this should occur, in most cases the staining can be removed with a stainless steel cleaning compound, available from most supermarkets.

Our optional electropolished finish is recommended for stainless steel fixtures that are installed near the sea or in a salty environment.

Natural Copper & Bronze Finishes

Copper and Bronze are ideal materials for outdoor luminaire construction as they have a natural, earthy appearance and excellent resistance to corrosion (rust) over a very long time. As copper ages, the hue develops from a natural salmon sheen through a progression of russet browns, greys and finally to a blue-green or gray-green patina. Another natural advantage of copper and bronze is that any scratches on the surface will not affect the life expectancy of the metal as a new patina will redevelop to complete the protection.

Copper and bronze fixtures do not need to be regularly cleaned as they will continue to patina over time. If cleaning is required, wipe over with a damp soft cloth or chamois with detergent and water. When dry, a liquid furniture cream polish can be applied, and the excess wiped off, which will even out and darken the natural patina slightly. Do not use metal polishing compounds like Brasso, Autosol etc.

Please see our website for more information on our finishes http://www.hunzalighting.com/mypage.php?page_id=181

NOTES

Notes section containing 12 horizontal lines for user input.

HUNZA
130 Felton Mathew Ave
Saint Johns, Auckland 1740
New Zealand
Tel 64 9 528 9471
Fax 64 9 528 9361
hunza@hunza.co.nz
www.hunzalighting.com



Designed and Manufactured in **NEW ZEALAND**

For local distributor details in your country
please consult the contacts page of our website.

Note: Specifications may change without notification

© copyright Hunza Productions Ltd 2017

DISTRIBUTOR