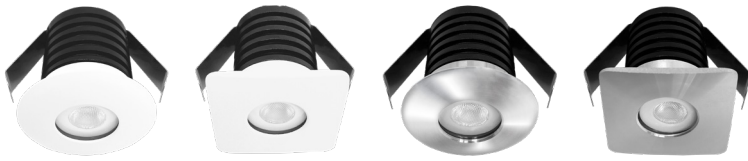


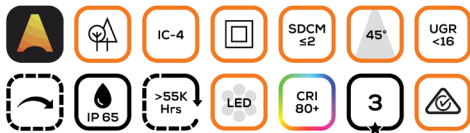
# STARLIGHT LED

The STARLIGHT LED is perfect for illuminating window seats, artwork and feature walls. Its miniscule proportions allows it to fit into even the tiniest nook or cranny.



## FEATURES

- + Available in 2 finishes.
- + Available in Round or Square
- + IC-4 rated.
- + IP65 – Suitable for wet areas.
- + Compatible with remote Casambi CBU-TED Bluetooth Controllable Dimmer (71-CASCBU)



## GENERAL SPECIFICATIONS

LED	3W
Lumens	(3000K) 110 lm (4000K) 115 lm
Efficacy	Up to 38 lm/W
Colour Temperature	<span style="display: inline-block; width: 10px; height: 10px; background-color: #f4a460; border: 1px solid black; margin-right: 5px;"></span> 3000K, Warm White <span style="display: inline-block; width: 10px; height: 10px; background-color: #fff; border: 1px solid black; margin-right: 5px;"></span> 4000K, Cool White
Material	Powder Coated Aluminium
Finish	White   Anodised Aluminium
Beam	45°
CRI	80+
IP	65
Colour Deviation	SDCM ≤2
UGR	<16
Lifetime	>55,000hrs L80 B10
Warranty	3 Years

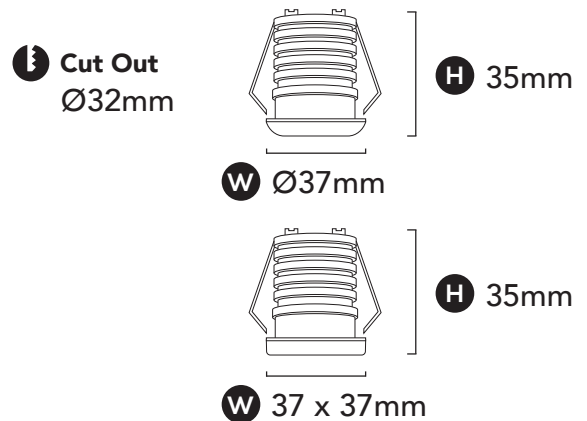
## PROJECT DETAILS

PROJECT:

TYPE:

NOTES:

## DIMENSIONS



## DRIVER SPECIFICATIONS

Dimensions	L 100 x W 30 x H 23
Power	700mA 240V Dimmable Driver (Sold Separately)
Dimming	Phase Cut Dimming
Power Factor	> 0.90

**DALI Dimming Available Upon Request**

## PRODUCT CODES

White, Square, 3000K	118-SL2S03W453
White, Square, 4000K	118-SL2S03W454
Aluminium, Square, 3000K	118-SL2S03A453
Aluminium, Square, 4000K	118-SL2S03A454
White, Round, 3000K	118-SL2R03W453
White, Round, 4000K	118-SL2R03W454
Aluminium, Round, 3000K	118-SL2R03A453
Aluminium, Round, 4000K	118-SL2R03A454

# ACCESSORIES

## 3 CONNECTOR



Order Code	118-93
Dimensions L x H x W	52mm x 17mm x 32mm

## 6 CONNECTOR



Order Code	118-96
Dimensions L x H x W	52mm x 17mm x 32mm

## STOPPER



Order Code	118-91
------------	--------

## DRIVER



Order Code	118-90
------------	--------